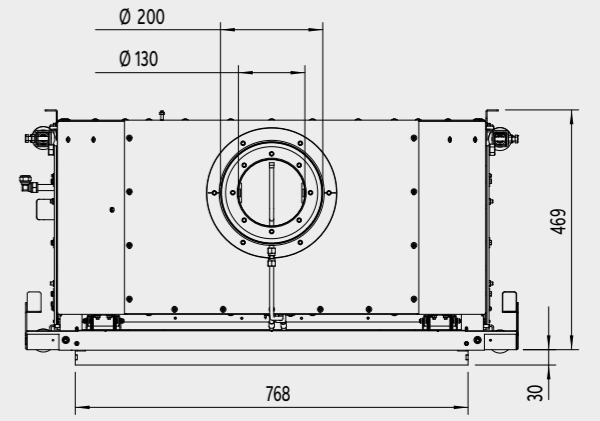
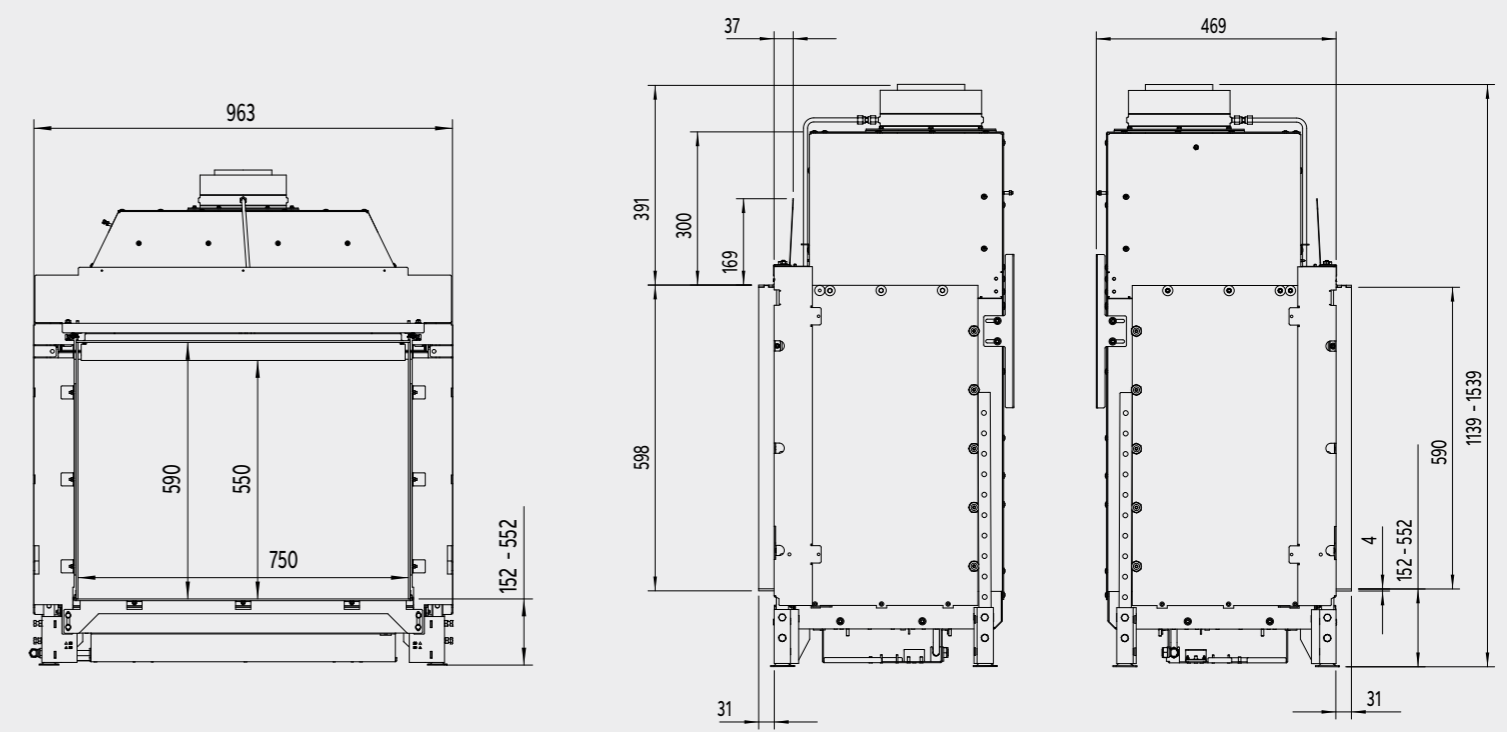


Kalfire GP75/59F



Technical information*

Gas type: G20 (high-calorific natural gas)

Supply pressure: 20 mbar

| | |
|-------------------------------------|------|
| Load max (Hi) (kW) | 10.5 |
| Consumption (m ³ /h) | 1.1 |
| Max. capacity (kW) | 8.7 |
| Min. capacity (kW) | 5.8 |
| Efficiency (%) | 83 |
| Energy-efficiency-Index (%) (sc)** | 79 |
| Energy efficiency class** | C |
| Energy-efficiency-Index (%) (lc)*** | 88 |
| Energy efficiency class*** | A |

Gas type G25 (low-calorific natural gas)

Connection pressure: 25 mbar

| | |
|-------------------------------------|-----|
| Load max (Hi) (kW) | 7.4 |
| Consumption (m ³ /h) | 0.9 |
| Capacity max. (kW) | 6.0 |
| Capacity min. (kW) | 2.3 |
| Heat output (%) | 81 |
| Energy-efficiency-Index (%) (sc)** | 73 |
| Energy efficiency class** | D |
| Energy-efficiency-Index (%) (lc)*** | 88 |
| Energy efficiency class*** | A |

*More technical information can be found in the installation instructions or at www.kalfire.com

**Energy-efficiency-Index (sc): The Energy-efficiency-Index has been measured as specified in European standard EN613 in tests using a short flue configuration (sc) (see configuration 1, page 124)

Gas type G30 (propane)

Connection pressure: 28-30 mbar

| | |
|-------------------------------------|------|
| Load max (Hi) kW | 6.7 |
| Consumption (m ³ /h) | 0.21 |
| Capacity max. (kW) | 4.3 |
| Capacity min. (kW) | 3.3 |
| Heat output (%) | 64 |
| Energy-efficiency-Index (%) (sc)** | 73 |
| Energy efficiency class** | D |
| Energy-efficiency-Index (%) (lc)*** | 91 |
| Energy efficiency class*** | A |

Product information

Burner type

Prestige burner

Glass dimensions

| | |
|--------------------------|-----|
| Width (mm) | 750 |
| Width of side glass (mm) | - |
| Height (mm) | 590 |

Flue connection (mm)

$\varnothing 130/200$

Weight (kg)

130

(Average weight depending on interior)

***Energy-efficiency-Index (lc): The Energy-efficiency-Index has been measured in tests using a long flue configuration (lc) (see configuration 2, page 124)

Composition, options and accessories

Mounting trims

- 4-sided, 3 cm (4 mm)
- 4-sided, 7 cm (8 mm)
- 4-sided, 10 cm (8 mm)

Interior

- Boom brickwork effect **NEW**
- back panel
- back panel, decorative brick hearth step and vertical passepartouts

Brickeffect **NEW**

- back panel
- back panel, decorative brick hearth step and vertical passepartouts

Flat

- Black ceramic glass
- Design

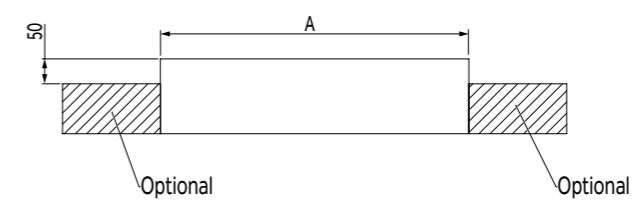
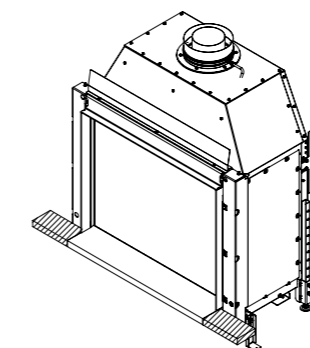
Options

- Hybrid / LED function
- Natural Spark Generator
- Anti-reflective glass
- Convection hood
- Flexible gas hose 1.5 m
- Flexible gas hose 4 m

Accessories

For accessories and connection material see page 118

Stone finish



| Kalfire | GP75/59F |
|---------------------------|----------|
| 4 mm Mounting trim A (mm) | 768 |
| 8 mm Mounting trim A (mm) | 776 |