



Vision & Vogue

Freestanding Stove Range



Installation Instructions

IMPORTANT

THE OUTER CASING, FRONT AND GLASS PANEL BECOME EXTREMELY HOT DURING OPERATION AND WILL RESULT IN SERIOUS INJURY AND BURNS IF TOUCHED. IT IS THEREFORE RECOMMENDED THAT A FIREGUARD COMPLYING WITH BS 8423 (LATEST EDITION) IS USED IN THE PRESENCE OF YOUNG CHILDREN, THE ELDERLY OR INFIRM.

ALL LOCAL REGULATIONS, INCLUDING THOSE REFERRING TO NATIONAL AND EUROPEAN STANDARDS, NEED TO BE COMPLIED WITH WHEN INSTALLING THE APPLIANCE.

Do not attempt to burn rubbish in this appliance. Please read these Instructions carefully before installation or use.

Keep them in a safe place for future reference and when servicing the fire.

The commissioning sheet found on page 3 of these instructions should be completed by the Installer.

CONTENTS

Vision & Vogue Range

Covering the following models:

VISION MODEL	WOOD	MULTI- FUEL
Small	RVN-SMW-E	RVN-SMM
Small T	RVN-SMTW-E	RVN-SMTM-E
Midi	RVN-MIDW-E	RVN-MIDM-E
Midi T	RVN-MIDTW-E	RVN-MIDTM-E
Medium Slimline	RVN-MEDSLW	RVN-MEDSLM-E
Medium	RVN-MEDW-E	RVN-MEDM-E

VOGUE MODEL	WOOD	MULTI- FUEL
Small	VG-SMW-E	VG-SMM
Small T	VG-SMTW-E	VG-SMTM-E
Midi	VG-MIDW-E	VG-MIDM-E
Midi T	VG-MIDTW-E	VG-MIDTM-E
Medium Slimline	VG-MEDSLW	VG-MEDSLM-E
Medium	VG-MEDW-E	VG-MEDM-E

Installation Instructions	4
Essential Information.....	4
Dimensions.....	9
Distance to Combustibles.....	11
Pre-installation.....	15
Smoke Control Settings.....	19
Installation	20
Commissioning	27
Maintenance & Servicing	28
Servicing.....	28
Legal Requirements	32
Information Requirement - Solid Fuel	34
Exploded Parts.....	36
Service Records	41

APPLIANCE COMMISSIONING SHEET

To assist us in any guarantee claim please complete the following information:-

Dealer appliance was purchased from:

Name:

Address:

Telephone number:

Essential information - MUST be completed:

Date Installed:

Model Description:

Serial Number:

Installation Engineer:

Company Name:

Address:

Telephone number:

Commissioning Checks - to be completed and signed:

Is flue system correct for the appliance:	YES <input type="checkbox"/>	NO <input type="checkbox"/>
Flue swept and soundness test complete:	YES <input type="checkbox"/>	NO <input type="checkbox"/>
Smoke test completed on installed appliance	YES <input type="checkbox"/>	NO <input type="checkbox"/>
Spillage test completed	YES <input type="checkbox"/>	NO <input type="checkbox"/>
Use of appliance and operation of controls explained	YES <input type="checkbox"/>	NO <input type="checkbox"/>
Clearance to combustible materials checked	YES <input type="checkbox"/>	NO <input type="checkbox"/>
Instruction book handed to customer	YES <input type="checkbox"/>	NO <input type="checkbox"/>
CO Alarm Fitted	YES <input type="checkbox"/>	NO <input type="checkbox"/>
Flue draught Reading (Pa)	HOT <input type="text"/>	COLD <input type="text"/>

Signature: Print Name:

ESSENTIAL INFORMATION - VISION MULTI-FUEL STOVE

GENERAL	Model: Vision Small / Small T Vision Midi / Midi T Vision Medium Slimline Vision Medium			Small	Small T	Midi	Midi T	Medium Slimline	Medium	
	Nominal Heat Output	Wood	kW	5.0	5.0	5.0	5.0	5.0	7.0	
		Solid Fuel	kW	5.0	5.0	5.0	5.0	5.0	8.2	
	Efficiency	Wood	%	79.9	80.2	79.5	78.4	76.5	74.8	
		Solid Fuel	%	80.1	79.8	78.6	78.4	79.4	80.8	
	CO @ 13% O ₂	Wood	%	0.14	0.11	0.11	0.12	0.11	0.12	
		Solid Fuel	%	0.07	0.03	0.04	0.11	0.08	0.08	
	Weight	Multi-fuel	Kg	61.5	65	71	80	86	95	
	Recommended Fuels	Wood	Seasoned Wood (less than 20% moisture content)							
		Solid Fuel	Briquette smokeless fuel suitable for closed appliances (Ancit-Phuracite-Taybrite-Maxibrite-Homefire Ovals)							

As tested to the requirements of EN 13240 for intermittent operation

FLUES	Flue/Chimney Size <small>Note: If the appliance has not been commissioned as a DEFRA smoke controlled appliance then the flue system should be 153mm (6").</small>	Without flue liner Round (Diameter)	mm	153	153	153	153	153	153
			inch	6	6	6	6	6	6
		Without flue liner system (Square)	mm	135	135	135	135	135	135
			inch	5½	5½	5½	5½	5½	5½
		With Liner of Factory made system (diameter) installed in accordance with manufacturers instructions	mm	150	150	150	150	150	150
			inch	6	6	6	6	6	6
	Flue/Chimney minimum height**	All products **must be 4.5m from the hearth to the top of the flue, with no horizontal sections and a maximum of 4 bends. Bends must have angles of less than 45 degrees from the vertical.	m	4.5	4.5	4.5	4.5	4.5	4.5
			feet	15	15	15	15	15	15
	Flue Draught	Min	Pa	10	10	10	10	10	10
		Nominal		12	12	12	12	12	12
Max		20		20	20	20	20	20	
Flue Gas Mass Flow	Wood	g/s	4.0	4.0	3.8	4.3	5.9	6.5	
	Solid Fuel	g/s	3.4	3.0	3.4	4.0	3.8	4.7	
Flue Gas Temperature at Spigot/Socket	Wood	°C	283	272	312	303	261	329	
	Solid Fuel	°C	297	307	338	278	272	312	
Flue Outlet Size (Top or Rear Option)	All	mm	128	128	128	128	153	153	
		inch	5	5	5	5	6	6	

European Min Spec for Chimney Flue - T400 N2 D 3 G50

VENTILATION	A) Traditionally Built Homes • Where leakage is greater than 5m ³ /hour/m ² . • Ventilation normally required = 550mm ² per kW output over 5kW		B) Modern Construction Homes • Where leakage is less than 5m ³ /hour/m ² . • Ventilation normally required = 550mm ² per kW					Wood	Solid Fuel
	A	Additional Ventilation	mm ²	None	None	None	1100	1650	
			cm ²	None	None	None	11	16.5	
			in ²	None	None	None	1.77	2.6	
	B	Additional Ventilation	mm ²	2750	2750	2750	3850	4400	
			cm ²	27.5	27.5	27.5	38.5	44	
			in ²	4.4	4.4	4.4	6.2	7.1	

For full technical details on ventilation see Technical Appendix

ESSENTIAL INFORMATION - VISION WOOD STOVE

GENERAL	Model: Vision Small / Small T Vision Midi / Midi T Vision Medium Slimline Vision Medium			Small	Small T	Midi	Midi T	Medium Slimline	Medium
	Nominal Heat Output	Wood	kW	5.0	4.8	5.0	5.0	5.0	7.8
	Efficiency	Wood	%	80.7	78.2	77.6	79.8	75.6	75.9
	CO @ 13% O ₂	Wood	%	0.11	0.11	0.09	0.12	0.14	0.10
	Weight	Wood Burning Stove	Kg	56	61.5	60	76	81	91
Recommended Fuels	Wood	Seasoned Wood (less than 20% moisture content)							

As tested to the requirements of EN 13240 for intermittent operation

FLUES	Flue/Chimney Size Note: If the appliance has not been commissioned as a DEFRA smoke controlled appliance then the flue system should be 153mm (6").	Without flue liner Round (Diameter)	mm	153	153	153	153	153	153
			inch	6	6	6	6	6	6
		Without flue liner system (Square)	mm	135	135	135	135	135	135
			inch	5½	5½	5½	5½	5½	5½
	With Liner of Factory made system (diameter) installed in accordance with manufacturers instructions	mm	150	150	150	150	150	150	
		inch	6	6	6	6	6	6	
	Flue/Chimney minimum height**	All products **must be 4.5m from the hearth to the top of the flue, with no horizontal sections and a maximum of 4 bends. Bends must have angles of less than 45 degrees from the vertical.	m	4.5	4.5	4.5	4.5	4.5	4.5
			feet	15	15	15	15	15	15
	Flue Draught	Min	Pa	10	10	10	10	10	10
		Nominal		12	12	12	12	12	12
		Max		20	20	20	20	20	20
	Flue Gas Mass Flow	Wood	g/s	3.9	4.5	4.6	4.7	5.5	7.1
Flue Gas Temperature at Spigot/Socket	Wood	°C	268	270	284	265	273	310	
Flue Outlet Size (Top or Rear Option)	All	mm	128	128	128	128	153	153	
		inch	5	5	5	5	6	6	

European Min Spec for Chimney Flue - T400 N2 D 3 G50

VENTILATION	A) Traditionally Built Homes • Where leakage is greater than 5m ³ /hour/m ² . • Ventilation normally required = 550mm ² per kW output over 5kW		B) Modern Construction Homes • Where leakage is less than 5m ³ /hour/m ² . • Ventilation normally required = 550mm ² per kW						
	A	Additional Ventilation	mm ²	None	None	None	None	None	1650
			cm ²	None	None	None	None	None	16.5
			in ²	None	None	None	None	None	2.6
	B	Additional Ventilation	mm ²	2750	2750	2750	2750	2750	4400
			cm ²	27.5	27.5	27.5	27.5	27.5	44
			in ²	4.4	4.4	4.4	4.4	4.4	7.1

For full technical details on ventilation see Technical Appendix

ESSENTIAL INFORMATION - VOGUE MULTI-FUEL STOVE

GENERAL	Model: Vogue Small / Small T Vogue Midi / Midi T Vogue Medium Slimline Vogue Medium			Small	Small T	Midi	Midi T	Medium Slimline	Medium
	Nominal Heat Output	Wood	kW	5.0	5.0	5.0	5.0	5.0	7.0
		Solid Fuel	kW	5.0	5.0	5.0	5.0	5.0	8.2
	Efficiency	Wood	%	79.9	80.2	79.5	78.4	76.5	74.8
		Solid Fuel	%	80.1	79.8	78.6	78.4	79.4	80.8
	CO @ 13% O ₂	Wood	%	0.14	0.11	0.11	0.12	0.11	0.12
Solid Fuel		%	0.07	0.03	0.04	0.11	0.08	0.08	
Weight	Multi-fuel stove	Kg	61.5	76	83	93	101	116	
Recommended Fuels	Wood	Seasoned Wood (less than 20% moisture content)							
	Solid Fuel	Briquette smokeless fuel suitable for closed appliances (Ancit-Phuracite-Taybrite-Maxibrite-Homefire Ovals)							

As tested to the requirements of EN 13240 for intermittent operation

FLUES	Flue/Chimney Size Note: If the appliance has not been commissioned as a DEFRA smoke controlled appliance then the flue system should be 153mm (6").	Without flue liner Round (Diameter)	mm	153	153	153	153	153	153
			inch	6	6	6	6	6	6
		Without flue liner system (Square)	mm	135	135	135	135	135	135
			inch	5½	5½	5½	5½	5½	5½
	With Liner of Factory made system (diameter) installed in accordance with manufacturers instructions	mm	150	150	150	150	150	150	
		inch	6	6	6	6	6	6	
	Flue/Chimney minimum height**	All products **must be 4.5m from the hearth to the top of the flue, with no horizontal sections and a maximum of 4 bends. Bends must have angles of less than 45 degrees from the vertical.	m	4.5	4.5	4.5	4.5	4.5	4.5
			feet	15	15	15	15	15	15
	Flue Draught	Min	Pa	10	10	10	10	10	10
		Nominal		12	12	12	12	12	12
Max		20		20	20	20	20	20	
Flue Gas Mass Flow	Wood	g/s	4.0	4.0	3.8	4.3	5.9	6.5	
	Solid Fuel	g/s	3.4	3.0	3.4	4.0	3.8	4.7	
Flue Gas Temperature at Spigot/Socket	Wood	°C	283	272	312	303	261	329	
	Solid Fuel	°C	297	307	338	278	272	312	
Flue Outlet Size (Top or Rear Option)	All	mm	128	128	128	128	153	153	
		inch	5	5	5	5	6	6	

European Min Spec for Chimney Flue - T400 N2 D 3 G50

VENTILATION	A) Traditionally Built Homes • Where leakage is greater than 5m ³ /hour/m ² . • Ventilation normally required = 550mm ² per kW output over 5kW		B) Modern Construction Homes • Where leakage is less than 5m ³ /hour/m ² . • Ventilation normally required = 550mm ² per kW					
	A	Additional Ventilation	mm ²	None	None	None	1100	1650
			cm ²	None	None	None	11	16.5
			in ²	None	None	None	1.77	2.6
	B	Additional Ventilation	mm ²	2750	2750	2750	3850	4400
			cm ²	27.5	27.5	27.5	38.5	44
			in ²	4.4	4.4	4.4	6.2	7.1

For full technical details on ventilation see Technical Appendix

ESSENTIAL INFORMATION - VOGUE WOOD STOVE

GENERAL	Model: Vogue Small / Small T Vogue Midi / Midi T Vogue Medium Slimline Vogue Medium			Small	Small T	Midi	Midi T	Medium Slimline	Medium
	Nominal Heat Output	Wood	kW	5.0	4.8	5.0	5.0	5.0	7.8
	Efficiency	Wood	%	80.7	78.2	77.6	79.8	75.6	75.9
	CO @ 13% O ₂	Wood	%	0.11	0.11	0.09	0.12	0.14	0.10
	Weight	Wood	Kg	68	74	83	91	98	113
Recommended Fuels	Wood	Seasoned Wood (less than 20% moisture content)							

As tested to the requirements of EN 13240 for intermittent operation

FLUES	Flue/Chimney Size <small>Note: If the appliance has not been commissioned as a DEFRA smoke controlled appliance then the flue system should be 153mm (6").</small>	Without flue liner Round (Diameter)	mm	153	153	153	153	153	153	
			inch	6	6	6	6	6	6	
		Without flue liner system (Square)	mm	135	135	135	135	135	135	135
			inch	5½	5½	5½	5½	5½	5½	5½
	With Liner of Factory made system (diameter) installed in accordance with manufacturers instructions	mm	150	150	150	150	150	150	150	
		inch	6	6	6	6	6	6	6	
	Flue/Chimney minimum height**	All products **must be 4.5m from the hearth to the top of the flue, with no horizontal sections and a maximum of 4 bends. Bends must have angles of less than 45 degrees from the vertical.	m	4.5	4.5	4.5	4.5	4.5	4.5	
			feet	15	15	15	15	15	15	
	Flue Draught	Min	Pa	10	10	10	10	10	10	
		Nominal		12	12	12	12	12	12	
Max		20		20	20	20	20	20		
Flue Gas Mass Flow	Wood	g/s	3.9	4.5	4.6	4.7	5.5	7.1		
Flue Gas Temperature at Spigot/Socket	Wood	°C	268	270	284	265	273	310		
Flue Outlet Size (Top or Rear Option)	All	mm	128	128	128	128	153	153		
		inch	5	5	5	5	6	6		

European Min Spec for Chimney Flue - T400 N2 D 3 G50

VENTILATION	A) Traditionally Built Homes • Where leakage is greater than 5m ³ /hour/m ² . • Ventilation normally required = 550mm ² per kW output over 5kW		B) Modern Construction Homes • Where leakage is less than 5m ³ /hour/m ² . • Ventilation normally required = 550mm ² per kW				
	A	Additional Ventilation	mm ²	None	None	None	1650
			cm ²	None	None	None	16.5
			in ²	None	None	None	2.6
	B	Additional Ventilation	mm ²	2750	2750	2750	4400
			cm ²	27.5	27.5	27.5	44
			in ²	4.4	4.4	4.4	7.1

For full technical details on ventilation see Technical Appendix

Installation

Registered Professional:

Before installation and/or use of this appliance please read these instructions fully and carefully to ensure that you have fully understood their requirements.

The appliance must be fitted by a registered installer, or approved by your local building control officer.

Structural Support:

If installing on a wooden floor check that the floor joists are strong enough to bear the weight of the insert, chimney and construction parts.

Hearth:

These products require a constructional hearth. See page 12 for hearth dimensions.

Final inspection of the installation:

When it has been installed, the appliance must be commissioned in accordance with standards and practices to ensure full working order and a correct handover given to the customer.

Combustion Air Supply

When the appliance is installed, it is essential to ensure adequate air is supplied to the room. Air can be provided indirectly via a vent in the outer wall or via a duct from the outside that connects to the sleeve on the underside of the insert. The required volume of combustion air is about 20 m³/hour.

The outer diameter of the combustion air connection sleeve is 65mm.

If a pipe is longer than 1 m, its diameter must be increased to 100mm and a larger wall vent will be required.

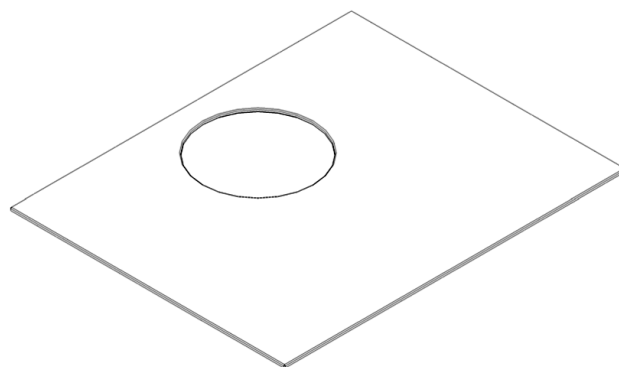
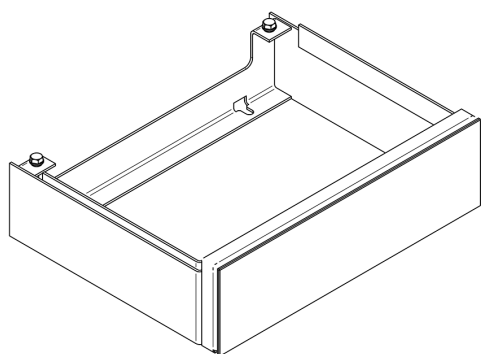
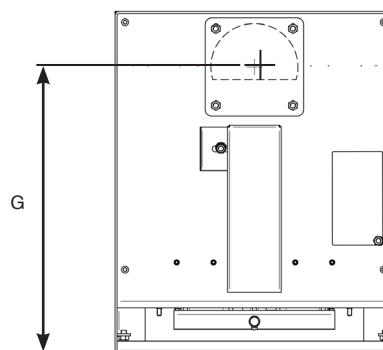
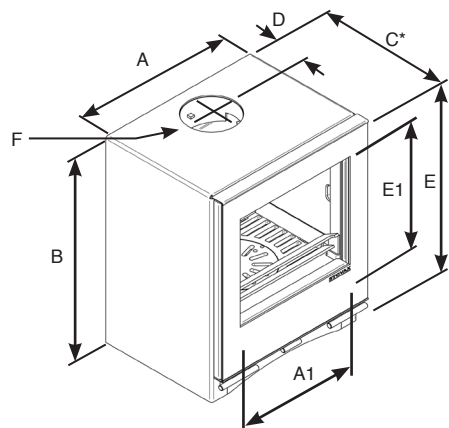
In heated spaces, the flue must be insulated to prevent condensation using 30mm mineral wool covered with a vapour barrier. The hole in the wall (or floor) at the exit point must be properly sealed with flue jointing compound.

A flexible pipe to provide external directly into the appliance is available and must be fitted at the time of installation.

VISION DIMENSIONS

This section is intended to give an overview of the product performance and essential information required for installing the appliance. It is intended for qualified engineers who are already familiar with Stovax products.

For full details and expanded information please see the Technical Appendix at the back of this manual.



DESCRIPTION	A	A1 GLASS VIEWING AREA	B	C*	D	E	E1 GLASS VIEWING AREA		F (DIA)	G	H	K
							WOOD	M/F				
Small	371	277	473	313	94	418	289	245	128	385	50	10
Small T	371	277	563	313	94	508	380	334	128	475	50	10
Midi	416	316	513	335	94	447	317	269	128	430	100	10
Midi T	416	316	650	335	94	584	454	405	128	567	100	10
Medium Slimline	525	415	600	280	94	536	388	354	128	496	100	10
Medium	525	415	600	353	107	536	388	354	153	496	100	10

All dimensions in mm (25.4 mm = 1")

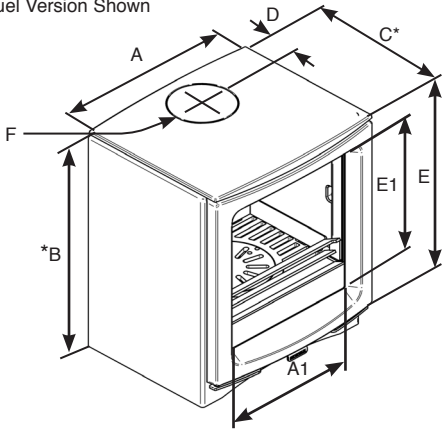
***NOTE:** If installing this appliance with an outdoor air kit, there will be an increase in dimension C. Please consult PM1323 prior to installation.

VOGUE DIMENSIONS

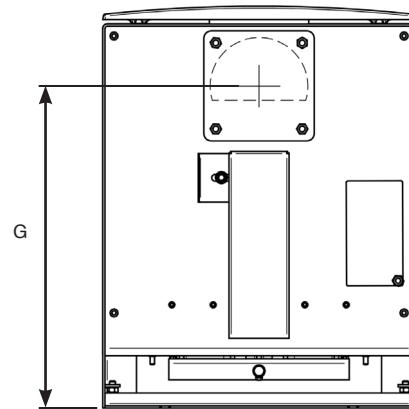
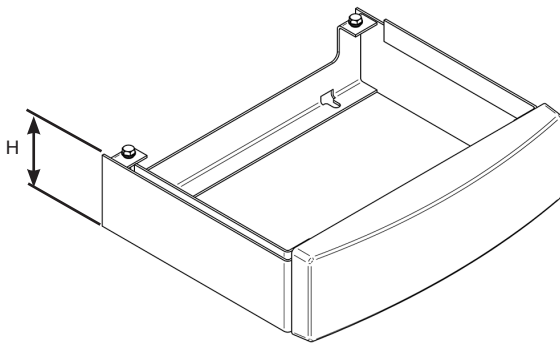
This section is intended to give an overview of the product performance and essential information required for installing the appliance. It is intended for qualified engineers who are already familiar with Stovax products.

For full details and expanded information please see the Technical Appendix at the back of this manual.

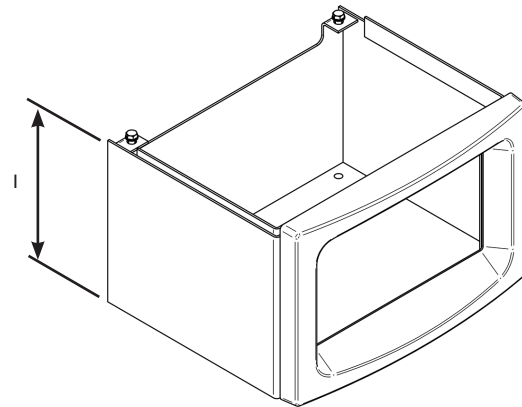
*Multi-Fuel Version Shown



STANDARD CAST PLINTH



MIDLINE/ WOODSTORE CAST PLINTH



DESCRIPTION	A	A1 GLASS VIEWING AREA	B*	C*	D	E	E1 GLASS VIEWING AREA		F (DIA)	G	H	I
							WOOD	M/F				
Small	371	262	497	334	94	418	307	256	128	385	50	196
Small T	371	262	587	334	94	507	397	346	128	475	50	196
Midi	416	306	537	359	94	447	337	280	128	430	96	245
Midi T	416	306	674	359	94	584	474	417	128	567	96	245
Medium Slimline	525	415	624	310	93	536	426	363	128	496	100	249
Medium	525	415	624	384	107	536	426	363	153	496	100	249

All dimensions in mm (25.4 mm = 1")

*including Cast plate

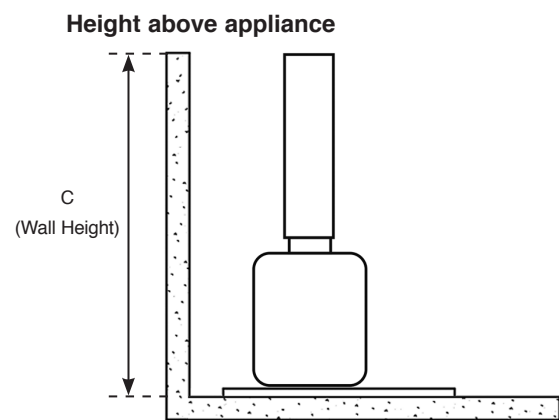
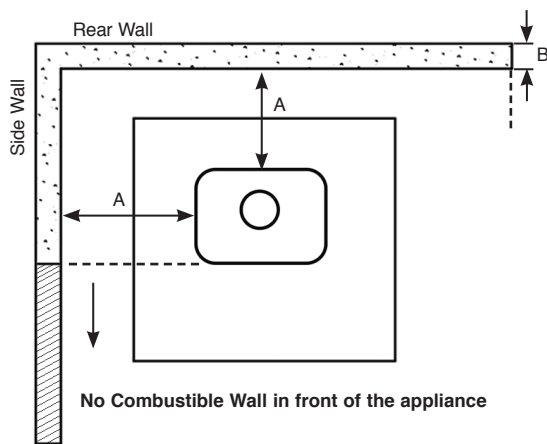


***NOTE: If installing this appliance with an outdoor air kit, there will be an increase in dimension C. Please consult PM1323 prior to installation.**

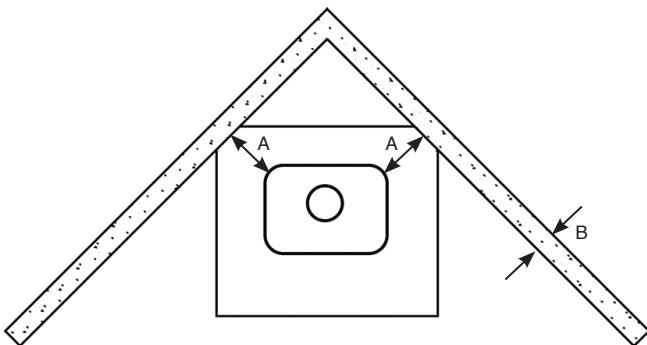
CLEARANCE TO NON-COMBUSTIBLE MATERIAL

DISTANCE TO NON-COMBUSTIBLE MATERIALS		
Distance of Appliance to Wall (A)	Minimum Thickness of wall (B)	Minimum Height of Wall (C)
0mm - 50mm*	200mm	Height of appliance + 300mm OR 1200mm from the hearth (take largest dimension)
51mm - 300mm	75mm	
300mm+	No requirement	No requirement

PARALLEL POSITION CLEARANCES

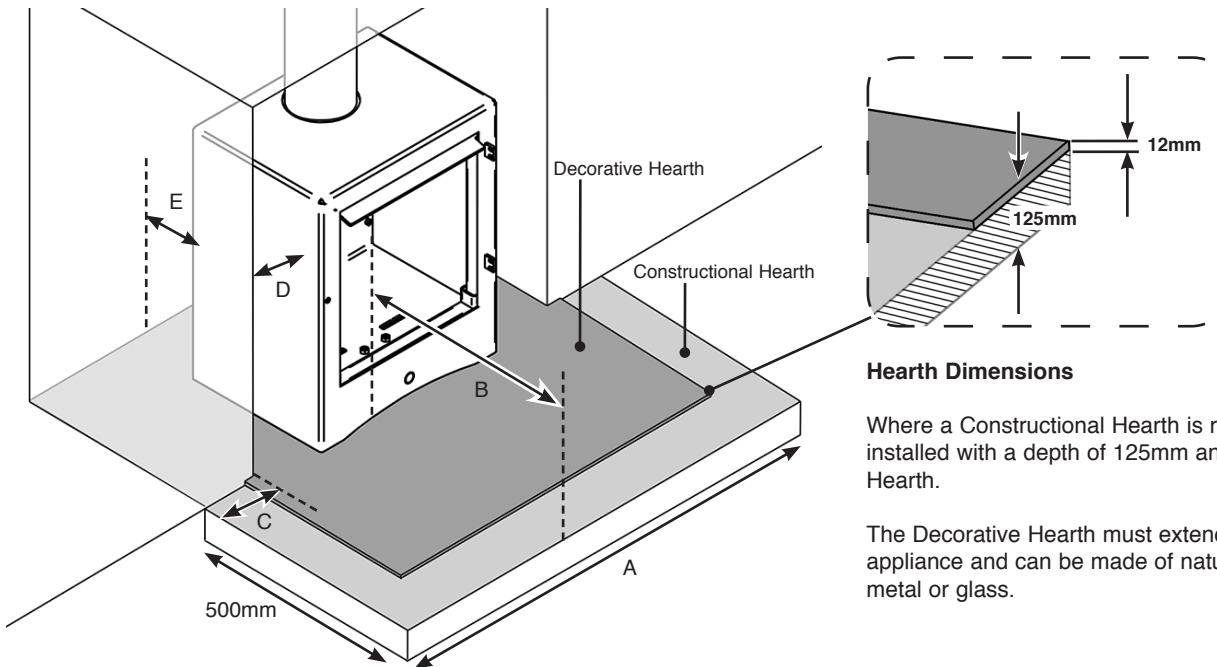


CORNER POSITION CLEARANCES



CLEARANCE TO COMBUSTIBLE MATERIAL

ENCLOSED SETTING



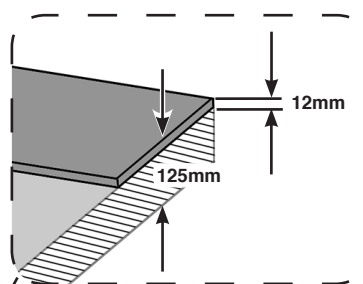
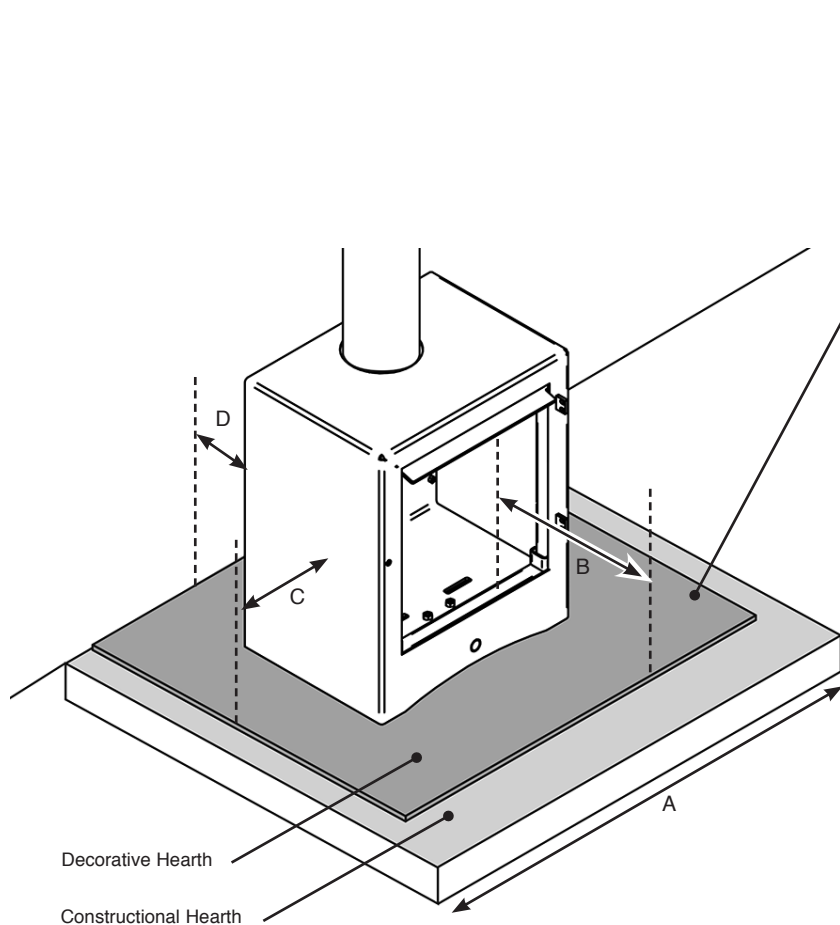
Hearth Dimensions

Where a Constructional Hearth is required it must be installed with a depth of 125mm and a 12mm Decorative Hearth.

The Decorative Hearth must extend 225mm in front of the appliance and can be made of natural stone, concrete, metal or glass.

DISTANCE TO COMBUSTIBLE MATERIALS - ENCLOSED SETTING								
MODEL		A	B	C	D	E		CONSTRUCTIONAL HEARTH
						HEAT SHIELD	STANDARD	
Small	Wood	1471	225	150	400	50	400	-
	Multi-Fuel	1471	225	150	400	50	450	-
Small T	Wood	1471	225	150	400	50	400	-
	Multi-Fuel	1371	225	150	350	50	400	Required
Midi	Wood	1516	225	150	400	50	500	-
	Multi-Fuel	1466	225	150	375	50	375	-
Midi T	Wood	1516	225	150	400	50	500	-
	Multi-Fuel	1516	225	150	400	50	400	Required
Medium Slimline	Wood	1325	225	150	250	50	300	-
	Multi-Fuel	1525	225	150	350	50	500	-
Medium	Wood	1725	225	150	450	50	500	-
	Multi-Fuel	1725	225	150	450	50	550	-

OPEN SETTING



Hearth Dimensions

Where a Constructional Hearth is required it must be installed with a depth of 125mm and a 12mm Decorative Hearth.

The Decorative Hearth must extend 225mm in front of the appliance and can be made of natural stone, concrete, metal or glass.

DISTANCE TO COMBUSTIBLE MATERIALS - OPEN SETTING							CONSTRUCTIONAL HEARTH
MODEL		A	B	C	D		
					HEAT SHIELD	STANDARD	
Small	Wood	1171	225	400	50	400	-
	Multi-Fuel	1171	225	400	50	450	-
Small T	Wood	1171	225	400	50	400	-
	Multi-Fuel	1071	225	350	50	400	Required
Midi	Wood	1216	225	400	50	500	-
	Multi-Fuel	1166	225	375	50	375	-
Midi T	Wood	1216	225	400	50	500	-
	Multi-Fuel	1216	225	400	50	400	Required
Medium Slimline	Wood	1025	225	250	50	300	-
	Multi-Fuel	1225	225	350	50	500	-
Medium	Wood	1425	225	450	50	500	-
	Multi-Fuel	1425	225	450	50	550	-

HEAT SHIELD

This appliance can be fitted with a heat shield in order to decrease the distance the appliance can be installed from a wall. This must be done at the time of installation. For installation and operating procedures refer to the instructions supplied with the heat shield Stovax Part No PM1347.

APPLIANCE	PART NO.
Vision Small / Small T	RVN-SMHSK-E / RVN-SMTHSK-E
Vision Midi / Midi T	RVN-MIDHSK-E / RVN-MIDTHSK-E
Vision Medium Slimline	RVN-MEDHSK-E
Vision Medium	RVN-MEDHSK-E

APPLIANCE	PART NO.
Vogue Small / Small T	VG-SMHSK-E / VG-SMTHSK-E
Vogue Midi / Midi T	VG-MIDHSK-E / VG-MIDTHSK-E
Vogue Medium Slimline	VG-MEDHSK-E
Vogue Medium	VG-MEDHSK-E

OPTIONAL EXTRAS

OUTSIDE AIR KIT

This appliance can be fitted with an optional kit to help bring air directly into the appliance from outside. For installation and operating procedures refer to the instructions supplied with the Outside Air kit - Stovax Part No PM1323.

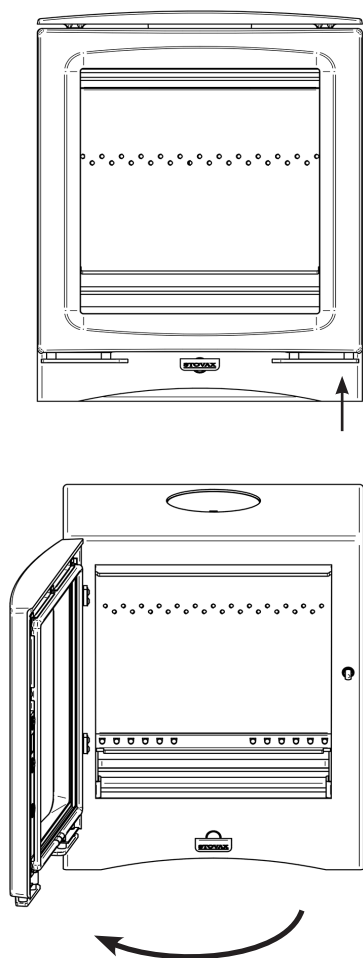
APPLIANCE	PART NO.
Small / Small T	SMAIR-E
Midi / Midi T	MIDAIR-E
Medium Slimline	MEDSLAIR
Medium	MEDAIR-E

PRE-INSTALLATION

To make the installation of the appliance easier it is best to remove the internal components before installation.

OPENING THE DOOR

VOGUE SHOWN

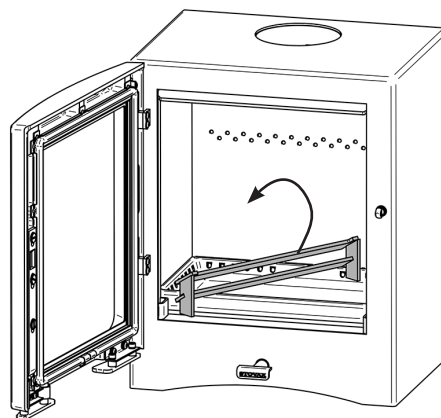


LOG GUARD - WOOD MODELS

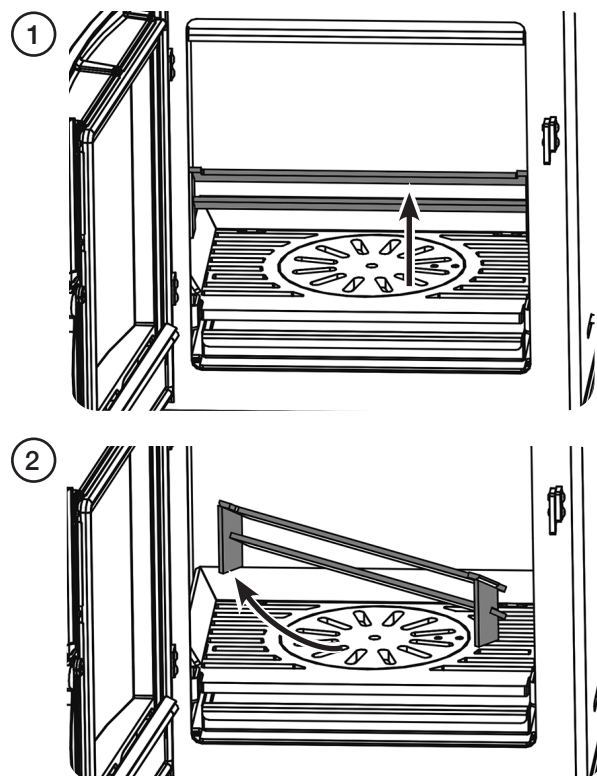
To remove the Log guard:

- Lift Log Guard clear of the supporting brackets.
- Rotate to clear the sides of the door opening.

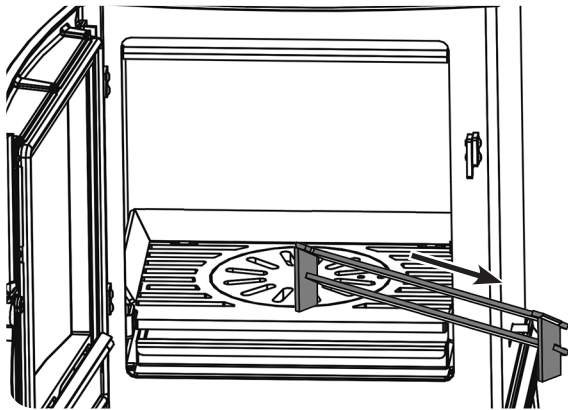
Do not use appliance without the log guard in position.



LOG GUARD - MULTI-FUEL MODELS



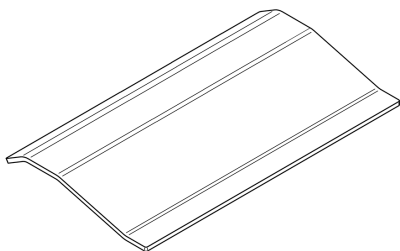
3



BAFFLE

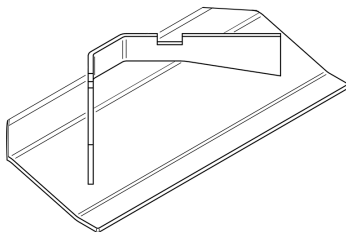
No tools are required.

To maintain efficient combustion the appliance is fitted with a metal baffle plate at the top of the firebox.

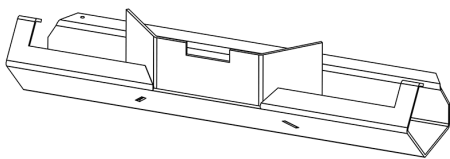


Midi only

Small/ Small T/ Midi T/ Medium



Medium Slimline

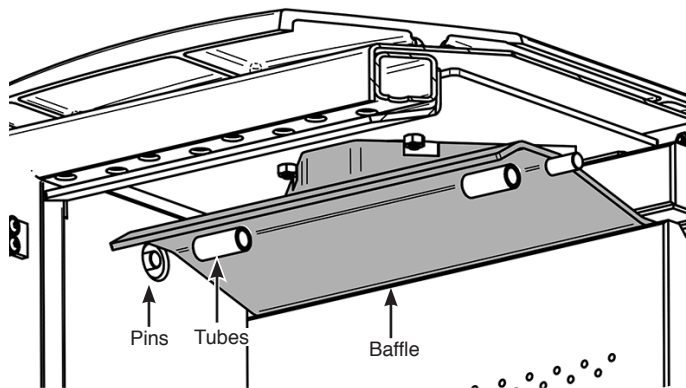


First remove the Log Guard from the appliance to give access to the firebox.

**SMALL/ SMALL T/ MIDI T
MEDIUM/ MEDIUM SLIMLINE**

The baffle rests on two supporting pins which are fitted with two removable supporting tubes.

Slide the tubes off the pins to provide additional manoeuvrability to the baffle.



Once the tubes are removed, lift the baffle slightly so it is free from the supports.

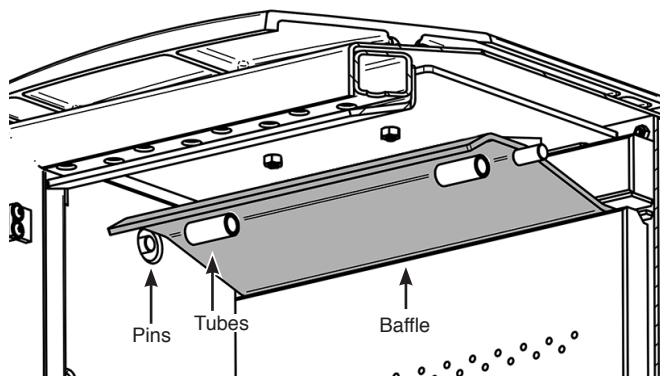
Move the baffle forwards and lower through the firebox.

Remove through the door opening.

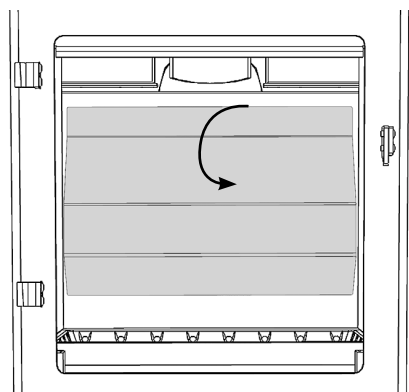
VOGUE MIDI

The baffle rests on two supporting pins which are fitted with two removable supporting tubes.

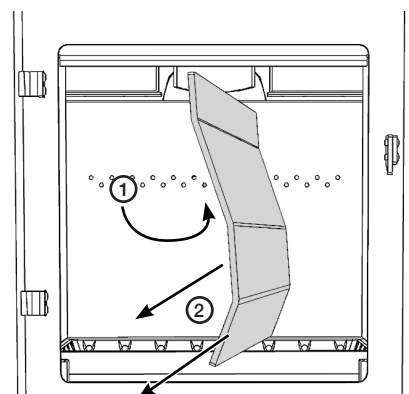
Slide the tubes off the pins to provide additional manoeuvrability to the baffle.



Carefully rotate and lower the Baffle until parallel to front of the firebox.



Carefully rotate the Baffle in a vertical position and feed sideways out of the firebox.



ALL MODELS

Reverse the above process to replace the baffle.

Do not modify the baffle.

REMOVAL OF THE FIRE BRICKS

Remove the firebricks as part of the routine maintenance. This can be carried out without the use of tools.

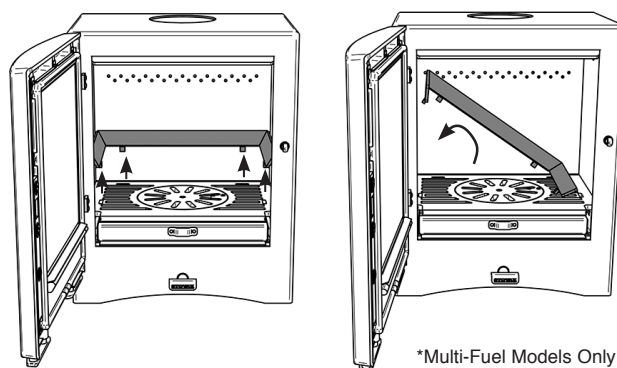
Allow the appliance to cool fully before removing firebricks.

Take care when handling, as bricks can become fragile after use. Life span depends on the type of fuels burnt and the level of use.

Replace damaged bricks as soon as possible.

Remove the log guard and baffle.

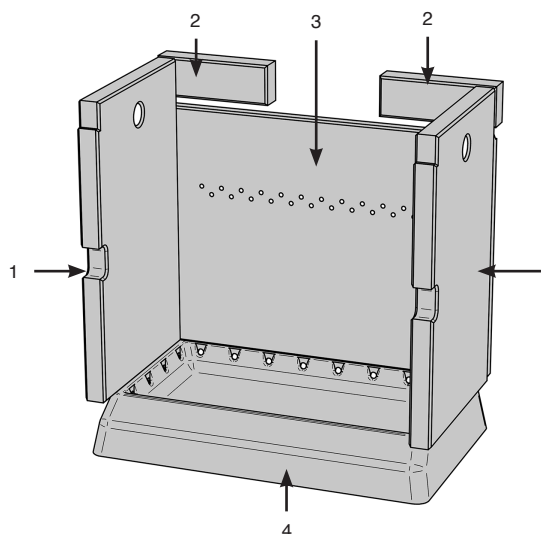
Multi-Fuel Models Only: The brick protector must be removed prior to the removal of the firebricks. Lift from the 4 slots in the grate and manoeuvre through the firebox.



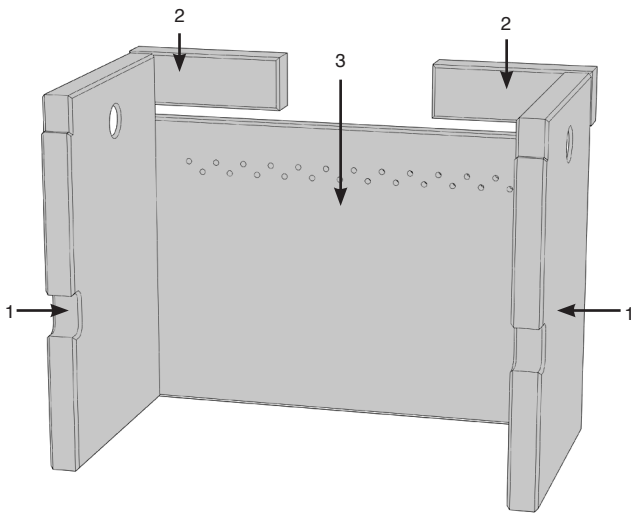
Take care not to damage the firebricks.

— Remove the bricks in the correct order.

WOODBURNING BRICK SET



MULTI-FUEL BRICK SET



Use the finger holes in the side bricks to tilt the base inwards and slide out of the door opening.

Slide the top bricks to the centre of the box and manoeuvre through the appliance.

With the side bricks removed there is space either side of the back brick to lift through the firebox.

Woodburning Only: Lift and remove the base bricks.

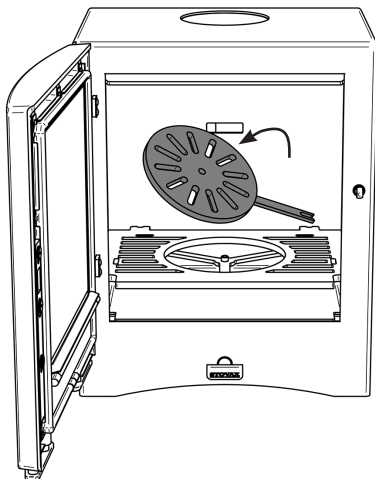
Re-install in reverse order.

REMOVAL OF THE MULTI-FUEL GRATE

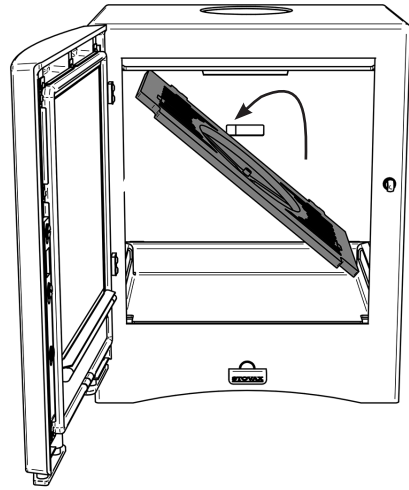
The Multi-fuel grate can be removed for cleaning to maintain good working condition.

To remove the grate:

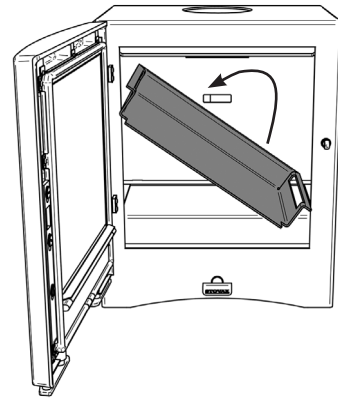
- Remove the log guard to enable access
- Remove the ashpan
- Remove the firebricks
- Tilt the centre grate downwards and lift to remove



- Lift the main grate from either side and carefully manoeuvre through the firebox.



- Lift the fire tray from 1 side and manoeuvre through the firebox.



- Replace in reverse order.

SMOKE CONTROL AREA SETTINGS

Mandatory for smoke control areas



MODIFICATION WILL NEED TO BE CARRIED OUT PRIOR TO INSTALLATION OF THE APPLIANCE.

WOOD BURNING MODELS

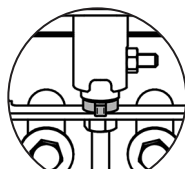


Woodburning appliances are supplied with a pre-fitted smoke control setting and has been independently tested to PD6434 making them exempt from the controls that generally apply in Smoke Control Areas.

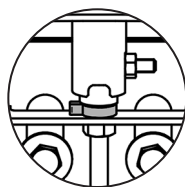
THE SMOKE CONTROL FACILITY IS SUPPLIED DISABLED AND MUST THEREFORE BE MODIFIED BEFORE INSTALLATION, IN ORDER FOR THE APPLIANCE TO MEET THE REQUIREMENTS OF A SMOKE CONTROL AREA AND MUST BE OPERATED CORRECTLY IN ORDER TO MINIMISE THE AMOUNT OF SMOKE PRODUCED.

If this appliance is installed outside of a Smoke Control Area then the Smoke Control setting can be left disabled to give more control over the lower burn rates.

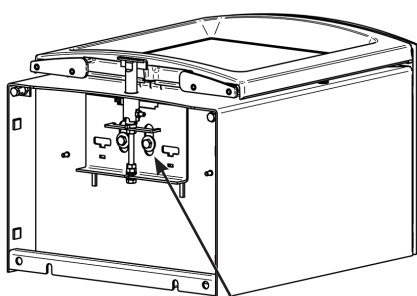
Any modifications to the setting should only be done by a suitably qualified installer and must be done at the time of installation.



A. DISABLED



B. ENABLED



Smoke Control setting

PRODUCT CODE	APPLIANCE
RVN-SMM-E	Vision Small Multi-Fuel
RVN-SMTM-E	Vision Small T Multi-Fuel
RVN-MIDM-E	Vision Midi Multi-Fuel
RVN-MIDTM-E	Vision Midi T Multi-Fuel
RVN-MEDSLM-E	Vision Medium Slimline Multi-Fuel
RVN-MEDM-E	Vision Medium Multi-Fuel

MULTI-FUEL BURNING MODELS

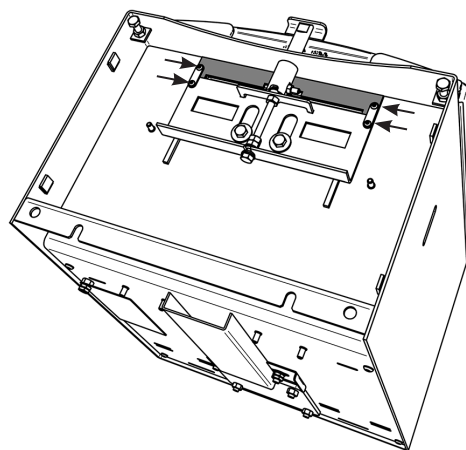


Multi-fuel appliances are supplied with an additional slide restrictor plate making them exempt from the controls that generally apply in Smoke Control Areas.

THIS PLATE IS SUPPLIED SEPARATELY AND THE APPLIANCE MUST BE MODIFIED BEFORE INSTALLATION, IN ORDER TO MEET THE REQUIREMENTS OF A SMOKE CONTROL AREA AND MUST BE OPERATED CORRECTLY IN ORDER TO MINIMISE THE AMOUNT OF SMOKE PRODUCED.

If this appliance is installed outside of a Smoke Control Area then there is no need to fit the supplied plate.

Any modifications to the setting should only be done by a suitably qualified installer and must be done at the time of installation.



PRODUCT CODE	APPLIANCE
VG-SMM-E	Vogue Small Multi-Fuel
VG-SMTM-E	Vogue Small T Multi-Fuel
VG-MIDM-E	Vogue Midi Multi-Fuel
VG-MIDTM-E	Vogue Midi T Multi-Fuel
VG-MEDSLM-E	Vogue Medium Slimline Multi-Fuel
VG-MEDM-E	Vogue Medium Multi-Fuel

INSTALLING THE APPLIANCE

HEARTH FIXING

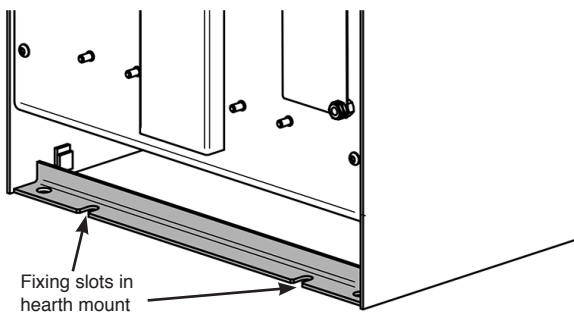
The appliance must be fixed to the hearth in at least two positions. There are various hearth mount locking methods detailed in this section depending on the appliance model.

ALL MODELS

Position the appliance where required on the hearth and mark the location of the two fixing holes slots in the rear mounting.

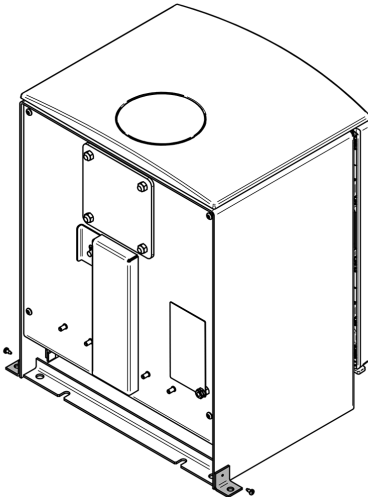
Drill the required sized holes into the hearth.

Use suitable fasteners to fix in place.



If access underneath or to the rear of the appliance is hampered 2 L shaped brackets are provided. These brackets can be attached to the side of the appliance and then secured to the hearth by following these steps:

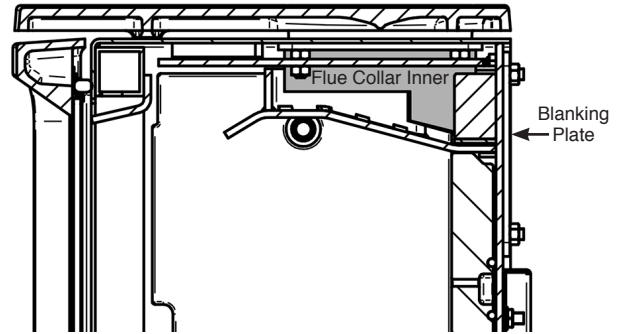
Standard model shown



1. Position Bracket where required and mark hole.
2. Drill hole into the side of the appliance and secure with a suitable fastener.
3. Repeat for the other side then drill the required sized holes into the hearth. Use suitable fasteners to fix in place.

Take care when installing the appliance. Careless handling and use of tools can damage the finish and/or area.

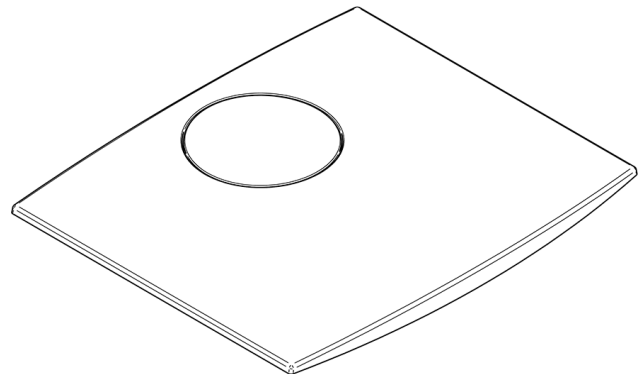
The appliance is factory set with the blanking plate fitted on the rear outlet.



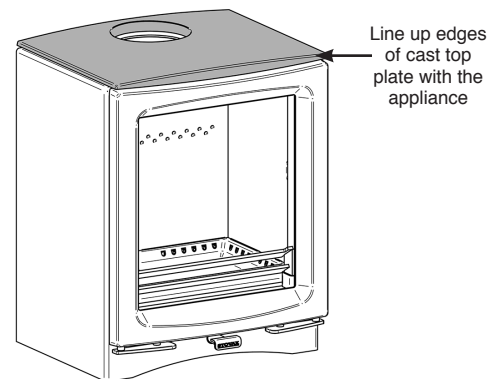
TOP FLUE INSTALLATION

CAST TOP PLATE - VOGUE

The cast top plate must be fitted prior to connecting the flue.



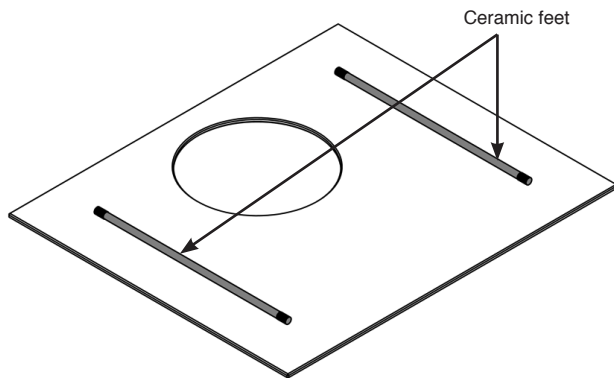
Line up the cast top flush with the front and sides of the appliance.



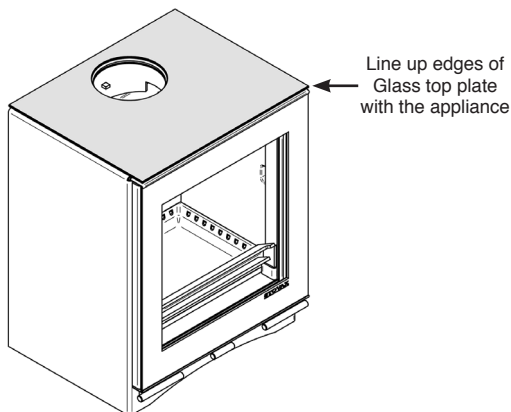
GLASS TOP PLATE - VISION

This appliance can be fitted with an optional glass top plate, the type of plate will depend on whether the appliance is installed with a top or rear flue exit.

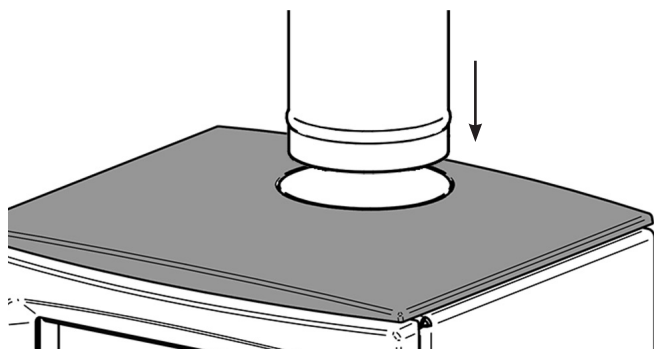
The glass top must be fitted at the same time as the flue connection.




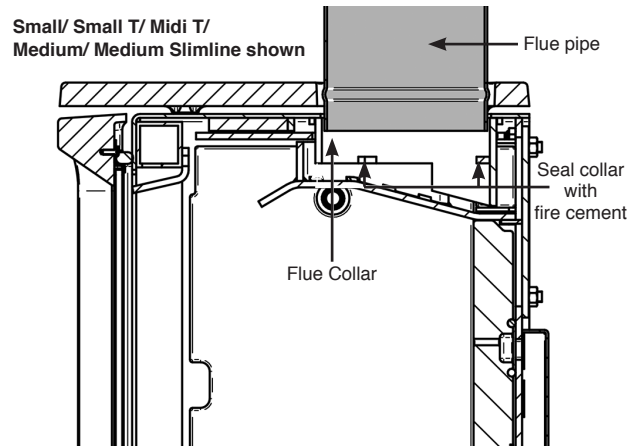
Line up the cast top flush with the front and sides of the appliance.



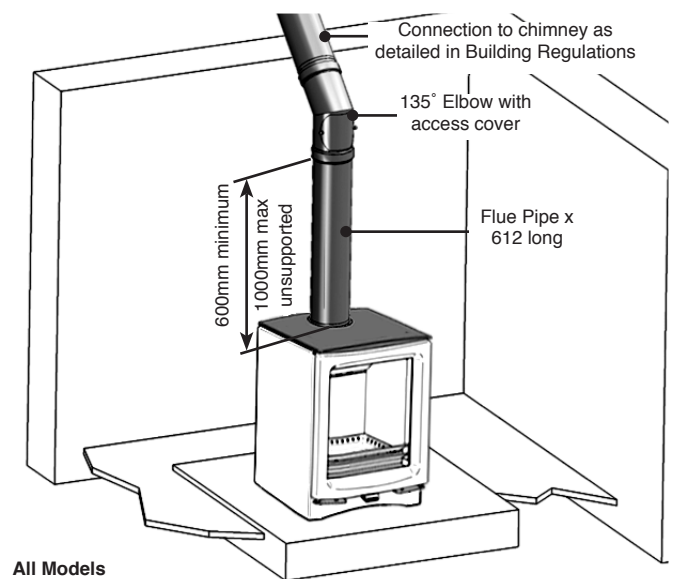
Seal the connecting joints.



 **The Flue must be installed in accordance with manufacturers instructions.**



A TYPICAL TOP FLUE PIPE INSTALLATION



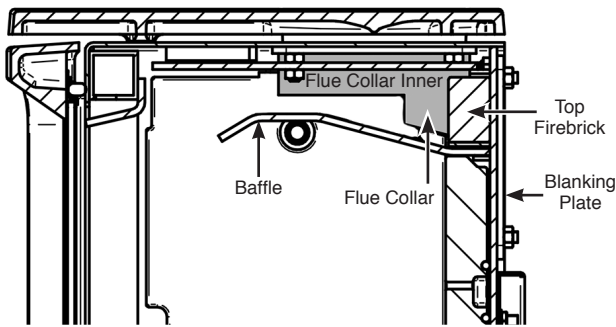
REAR FLUE INSTALLATION



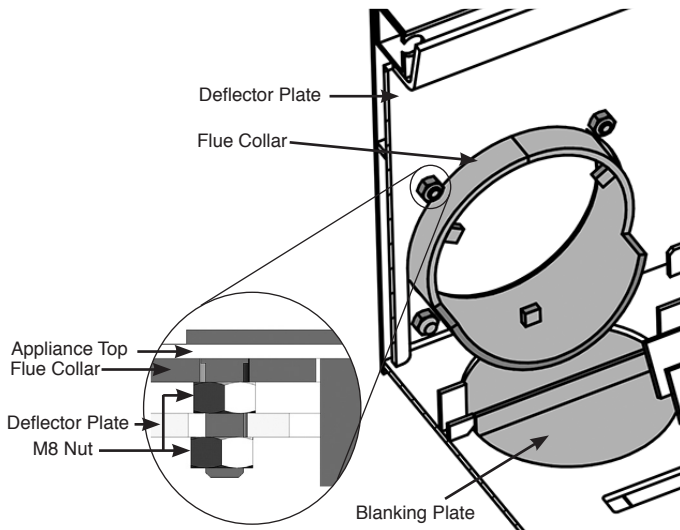
The appliance is factory set with the blanking plate fitted on the rear outlet. The plate will need to be removed and fitted to the top of the appliance prior to installation.

- Remove the baffle.
- Remove the two side bricks and then the two upper bricks.

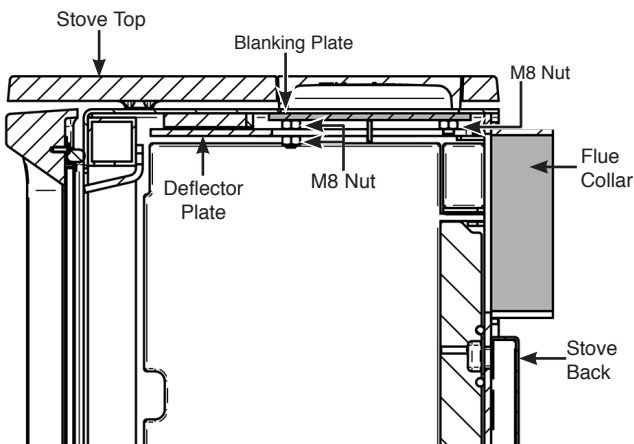
Vogue Midi Shown



First remove the **deflector plate**.



Remove the **blanking plate** from the rear of the back plate leaving the 4 studs in place.



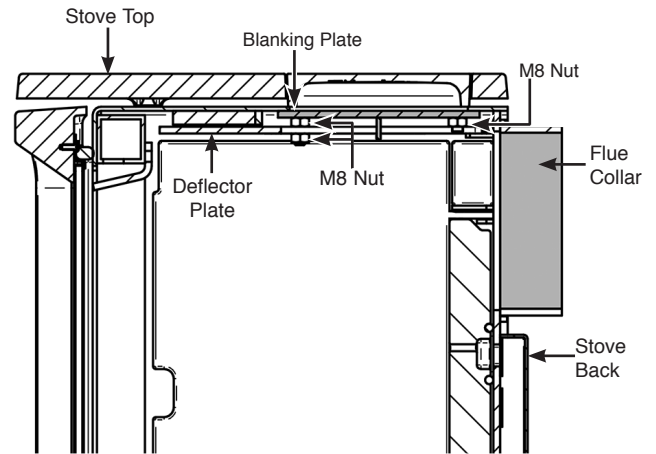
To remove the **flue collar** remove the 4 M8 nuts front and back. The collar will then drop down inside the appliance.

Fitting the flue collar and blanking plate for rear flue:

- Fit the blanking plate to the top flue outlet using 4 M8 nuts.
- Seal to the firebox using fire cement.
- Slide the deflector plate onto the 2 front studs on the underside of the appliance top and rest back edge on the 2 support shelves on the inside rear.
- Line up with the flue hole and secure in position using 2 M8 nuts onto the 2 front studs (reverse of removal).
- Slide the rear flue collar onto the four studs on the outside of the back plate and secure using 4 x M8 nuts.
- Seal to the firebox using fire cement.
- Re-install 2 upper rear bricks and 2 side bricks.
- Re-install the baffle.



NOTE: The Databadge must be refitted to the heat shield once installation is complete.



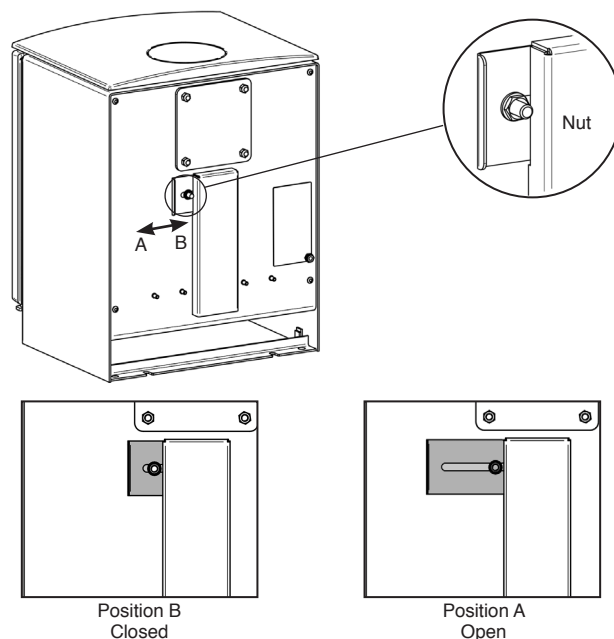
5" Tee	Stovax Product Code 4516
6" Tee	Stovax Product Code 4616
5" 135° Bend	Stovax Product Code 4512
6" 135° Bend	Stovax Product Code 4512
5" Flue Pipe x 612mm long	Stovax Product Code 4501
6" Flue Pipe x 612mm Long	Stovax Product Code 4601

SECONDARY AIR CONTROL

The Secondary Air control is factory set to the optimum setting for burning both wood and smokeless fuels. However, if you are burning only one fuel type it can be adjusted as shown to optimise the combustion for the chosen fuel:-

- Wood Only - Position A (Open).
- Smokeless Fuels Only - Position B (Closed).

WARNING: DO NOT modify the secondary air control slider.



Pull the slider out to increase the amount of Secondary Air,

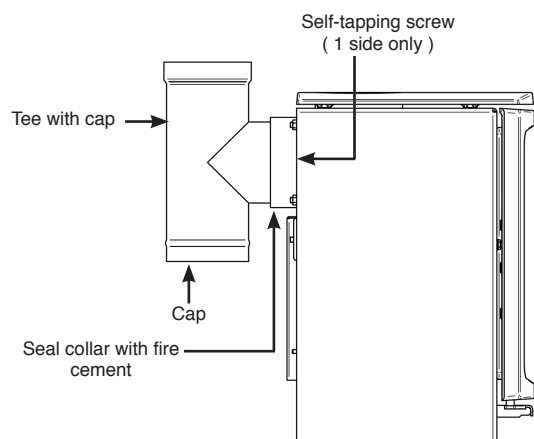
Push the slider in to reduce the amount of Secondary Air.

Once the required adjustment has been achieved, tighten the 2 nuts to secure the slider.

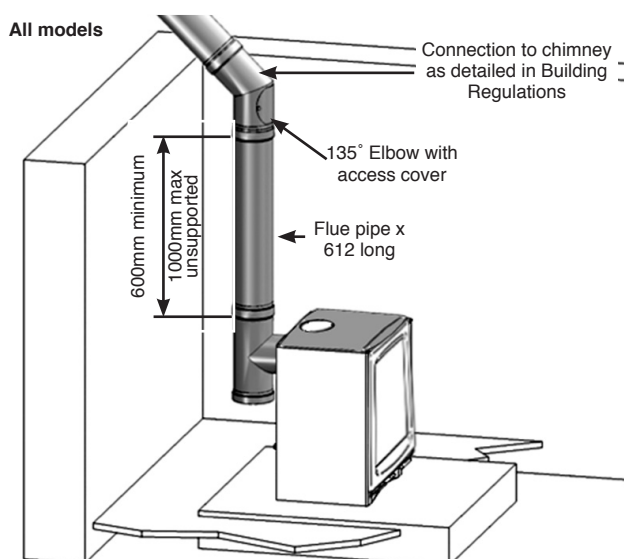
OUTSIDE AIR KIT

This appliance can be fitted with an optional kit to help bring air directly into the appliance from outside. For installation and operating procedures refer to the instructions supplied with the Outside Air kit - Stovax Part No PM1323.

APPLIANCE	PART NO.
Small / Small T	SMAIR-E
Midi / Midi T	MIDAIR-E
Medium Slimline	MEDSLAIR
Medium	MEDAIR-E



A TYPICAL REAR FLUE PIPE INSTALLATION



Replace internal components.

CO ALARMS

All open flued appliances can be affected by temporary atmospheric conditions which may allow fumes to enter the house. **Building regulations require that whenever a new or replacement fixed solid fuel or wood/biomass appliance is installed in a dwelling a carbon monoxide alarm, complying with BS EN50291, must be fitted in the same room as the appliance. Further guidance on the installation of the carbon monoxide alarm is available in the latest edition of BS EN50292 and from the alarm manufacturer's instructions.**

HETAS recommend the unit is permanently fixed in accordance with the manufacturer's installation instructions or with the guidance contained in Approved Document J where no other information is available.

Provision of an alarm must not be considered a substitute for either installing the appliance correctly or ensuring regular servicing and maintenance of the appliance and chimney.

OPTIONAL CAST PLINTH - VOGUE

This appliance can be fitted with two optional decorative plinths:

APPLIANCE	STANDARD PLINTH	MIDLINE PLINTH
Small / Small T	VG-SM-BP	VG-SM-BML-E
Midi / Midi T	VG-MID-BP	VG-MID-BML-E
Medium Slimline	VG-MEDSL-BP	VG-MEDSL-BML
Medium	VG-MED-BP	VG-MED-BML

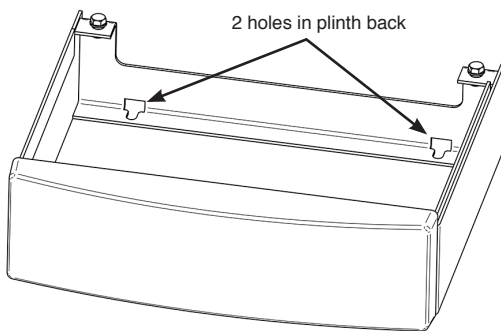
The installation method is the same for both plinths.

To install the **Standard Plinth**:

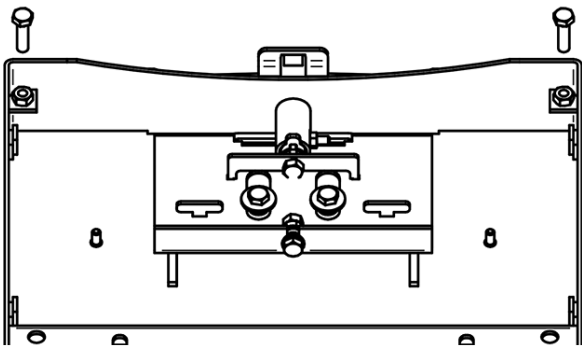
Decide on the position of the appliance on the hearth.

Secure the plinth to the hearth using the 2 holes in the plinth back and suitable fasteners, or use the 2 x L shaped brackets (see Installation Section).

Standard Plinth shown



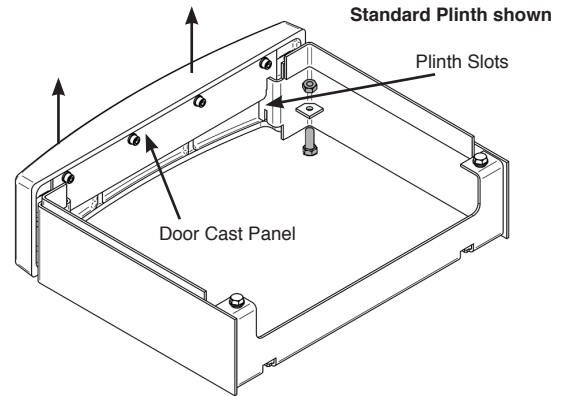
Remove the levelling feet from the front of the appliance base.



The **Standard Plinth** front is removable. It is advisable to remove this before fitting the appliance to the plinth.

Lift the plinth front so that the cast panel clears the 2 slots on the plinth to remove.

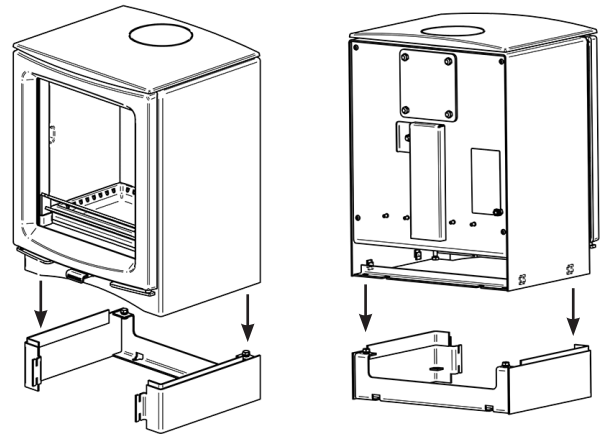
To remove the **Midline Plinth** undo the 4 screws on the back of the cast front panel.



Lift the appliance onto the plinth:

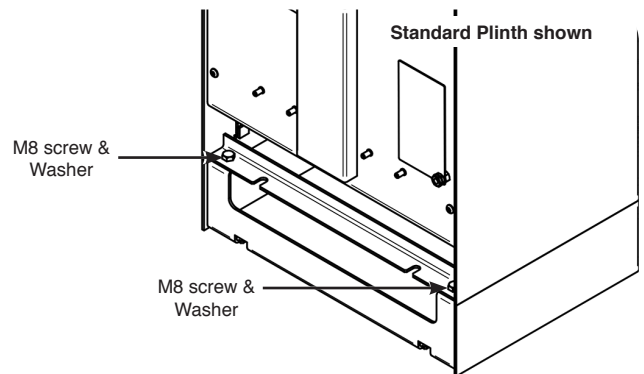
— Line up the 2 side plinth braces with the 4 plinth spacers (two each side) on the inside of the appliance.

Standard Plinth shown



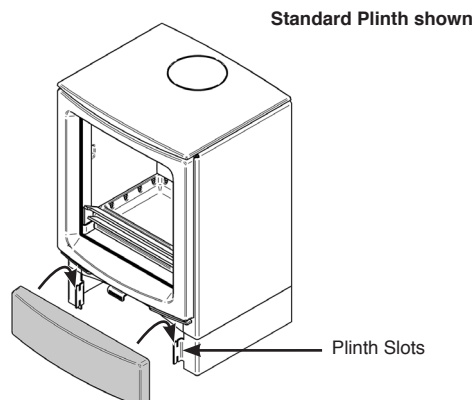
Ensure the sides and front of the appliance are sitting level and flush with the plinth.

Fix the appliance to the plinth using the 2 M8 screws and 2M8 washers provided.



STANDARD PLINTH

Locate the cast panel in the 2 fixing slots to fit the plinth front.



MIDLINE PLINTH

Line up holes.

Replace and tighten the 4 screws on the rear of the cast front panel.

OPTIONAL GLASS PLINTH - VISION

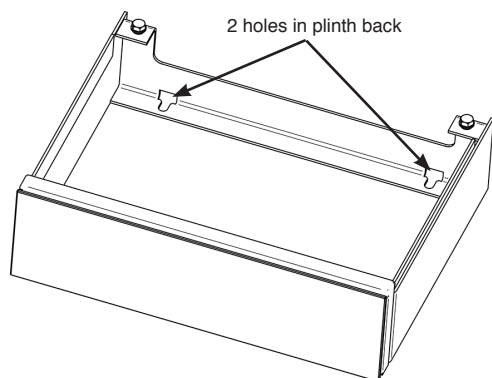
This appliance can be fitted with an optional decorative plinths:

APPLIANCE	PART NO.
Small / Small T	RVN-SMPG-E
Midi / Midi T	RVN-MIDPG-E
Medium Slimline	RVN-MEDSLPG-E
Medium	RVN-MEDPG-E

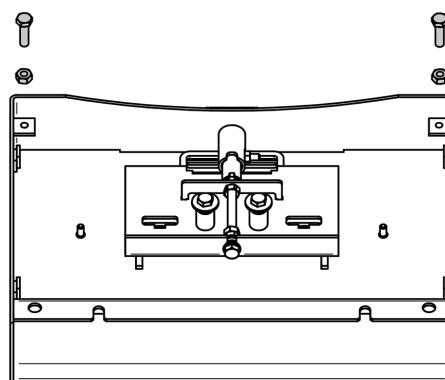
To install the plinth:

Decide on the position of the appliance on the hearth.

Secure the plinth to the hearth using the 2 holes in the plinth back and suitable fasteners, or use the 2 x L shaped brackets (see Installation section).

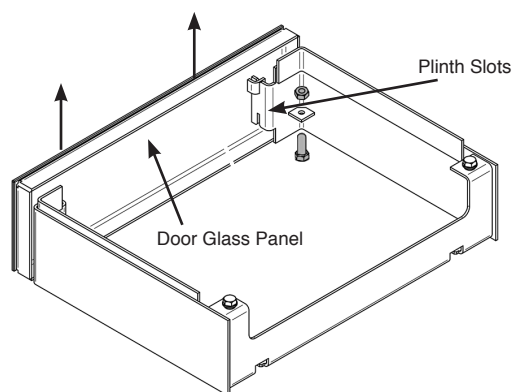


Remove the levelling feet from the front of the appliance base.



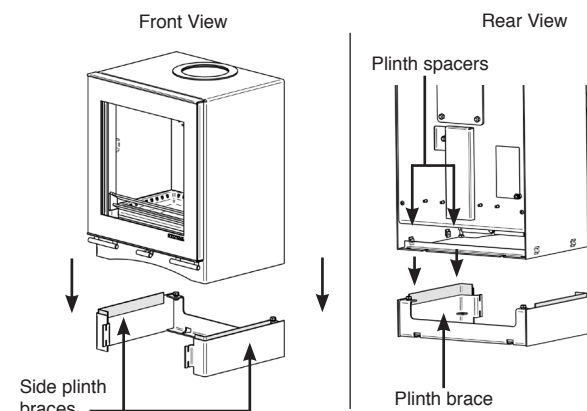
The plinth front is removable. It is advisable to remove this before fitting the appliance to the plinth.

Lift the plinth front so that the cast panel clears the 2 slots on the plinth to remove.



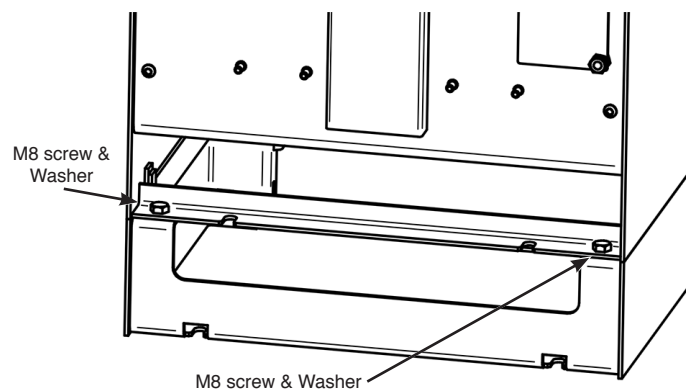
Lift the appliance onto the plinth:

— Line up the 2 side plinth braces with the 4 plinth spacers (two each side) on the inside of the appliance.

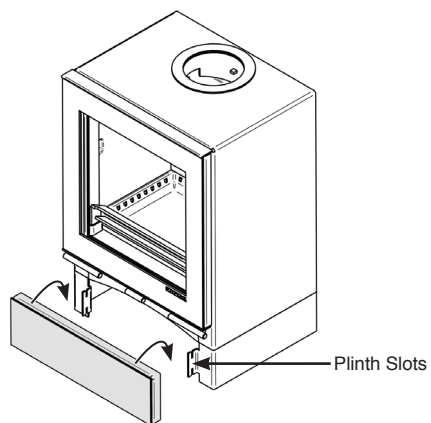


Ensure the sides and front of the appliance are sitting level and flush with the plinth.

Fix the appliance to the plinth using the 2 M8 screws and 2 M8 washers provided.



Locate the tabs in the 2 fixing slots to fit the plinth front.



COMMISSIONING

To commission:

- Replace the internal components.
- Check the door alignment and catch operation and adjust if required.
- Check the soundness of door seals, castings and joints.
- Check the operation of the air controls.

Now carry out a final smoke draw test:

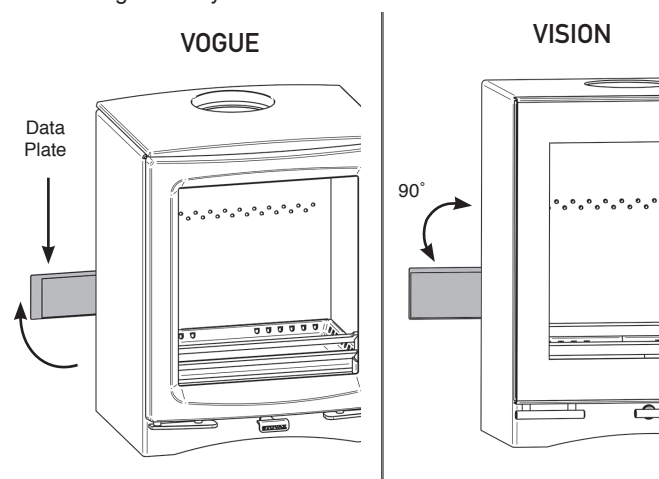
- Warm the flue with a blowlamp, or similar, for about 10 minutes.
- Place a smoke pellet on the centre of the grate, with the air controls open.
- Close the door. Smoke should now be drawn up the flue and be seen to exit from the flue terminal.
- Complete test with all doors and windows closed in the room where the appliance is fitted.
- If there are any extractor fans in adjacent rooms the test must be repeated with the fans running on maximum and with interconnecting doors open.
- Check the effect of ceiling fans during the test.

If excessive spillage occurs allow the appliance to cool and re-check the flue system and ventilation.

Finally:

- Explain to the user the correct operation of the appliance, use of the controls and the importance of only using suitable fuels in order to reduce smoke emissions - particularly if they live in a Smoke Control Area.
- Ensure that a CO alarm has been fitted and make the user aware of its operation and importance, referring them to the Warning section on page 5 of the User Instructions.
- Explain the cleaning and routine maintenance requirements.
- Explain the requirement to use a suitable fireguard when children, elderly or infirm persons are near the appliance.
- Record retailer/supplier and installer details in Appliance Commissioning Checklist.
- Record serial number in Appliance Commissioning Checklist.

This number is required when ordering spare parts and making warranty claims.



- Give this instruction manual to the customer.

SERVICING

For a complete list of spare parts and accessories contact your Stovax or call 01392 474011

Before the start of the heating season strip, inspect and clean the appliance as detailed:

- Allow appliance to cool.
- Remove all internal parts: baffle, log guard, cast bases and firebricks.
Take care handling firebricks as they can become fragile after a period of use.
- Sweep the appliance at this point if necessary.
- Vacuum clean any remaining ash and debris from the inside of the appliance. Stovax offer a filter/collection attachment for vacuum cleaners to protect them from fire ash: Ash Clean (Stovax Part No. 2091).
- Check the parts for any damage. Replace any damaged parts using genuine Stovax replacements parts.
- Check and clean the firebricks with a soft brush.
Some surface damage will occur during use. The life of the bricks will depend on the type of fuels burnt and the level of use.
Replace damaged bricks as soon as possible.
- Re-fit cleaned internal parts.
- **Use Stovax Glass Cleaner.**

Do not use abrasive cleaners to remove tar or soot deposits from the glass.
- Fit new door rope seal.
- Lightly oil the door catch mechanism and hinge pins. Avoid getting oil onto the door seals and glass.
- To refresh painted finishes a touch up spray is available.
Contact your Stovax retailer quoting the serial number found on the appliance data badge.

Use genuine Stovax replacement parts to keep the appliance in safe, efficient working order. This is a list of the maintenance products that may need be required:

Products to assist in the cleaning and maintenance of your Vogue and Vision are available online at www.stovax.com or from your local Stovax dealer which, along with regular maintenance and use of correct fuels, will keep the appliance in the best possible condition.

For more information about the Stovax Group products please visit our web site at www.stovax.com

Burn at a low temperature for the first day of use after any maintenance. This allows the seals, fixing glues and paint to fully cure.

During this time the appliance may give off some unpleasant odours. Keep the room well ventilated to avoid a build-up of fumes.

Your Stovax dealer can carry out service and maintenance.

SERVICING AND SUPPORT



Servicing and Support

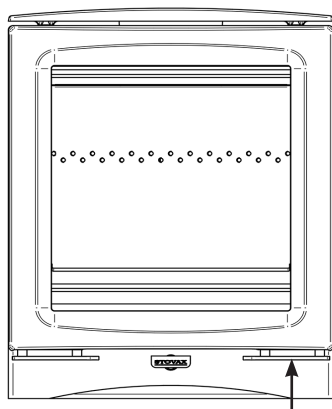
To keep your appliance looking and performing at its best, it must be serviced annually. This service must be undertaken by a suitably qualified individual and your retailer can organise this for you. Alternatively, Stovax offer a manufacturers premium service with our friendly team of qualified engineers which can be booked at www.stovax.com/support

TASK	PRODUCT NAME	NO.
Preventing build-up of creosote in flue	Protector (15 sachets)	7002
	Protector (1kg tub)	7025
Sealing flue pipe joints	Fire Cement (500g tub)	2024
	Fire Cement (600g cartridge)	2021
Re-painting	Touch Up Paint (150ml aerosol)	2056
Protecting your hands	Heat resistant leather gloves	4008 4027 - Long
Thermic seal glue	(50ml bottle)	5037
Cleaning Glass	Stovax Glass Cleaner	4103
Ash Clean	Vacuum Cleaner Attachment	2091M

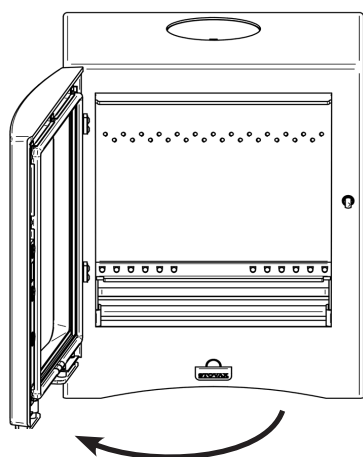
FITTING A NEW DOOR SEAL OR GLASS

VOGUE SHOWN

1

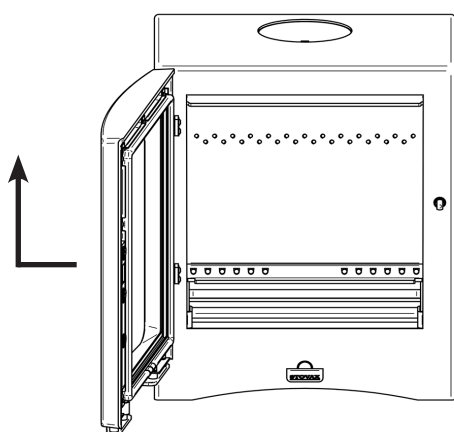


2



Remove the door.

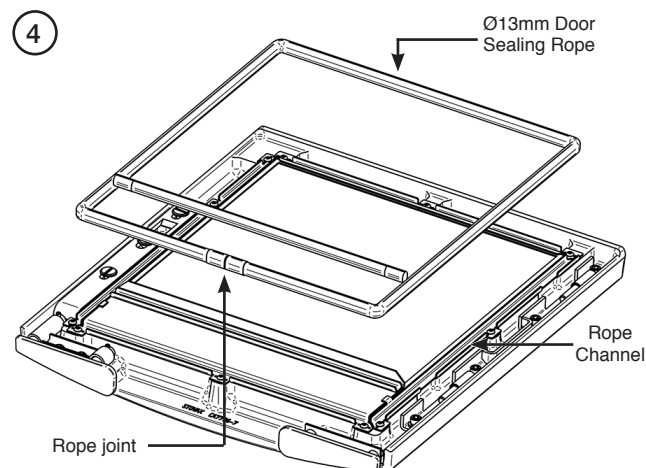
3



Lay the door face down on a soft flat surface, to protect the paintwork and glass.

DOOR SEAL

4



Remove the old rope and scrape old glue from the locating groove.

Clean the locating groove with a clean dry cloth to remove all old dust and debris.

Squeeze a generous bead of fresh Stovax Thermic Seal glue into the rope locating groove.

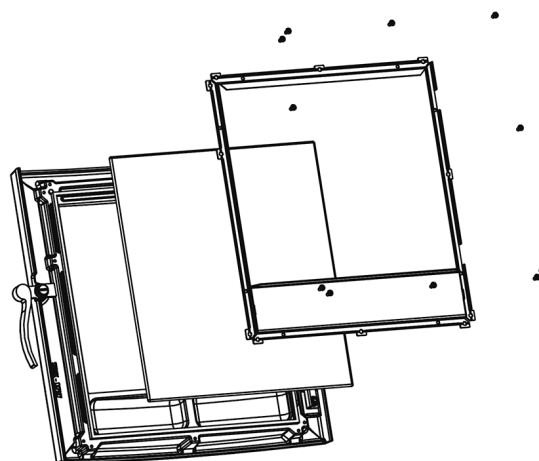
Press the new Stovax rope into the locating groove, placing the joint in the middle of the lower edge of the door.

DOOR GLASS



USING THE APPLIANCE WITH A DAMAGED DOOR GLASS COULD CAUSE DANGEROUS FUMES TO ENTER THE ROOM, OR THE APPLIANCE TO OVER-FIRE, RESULTING IN DAMAGE.

5



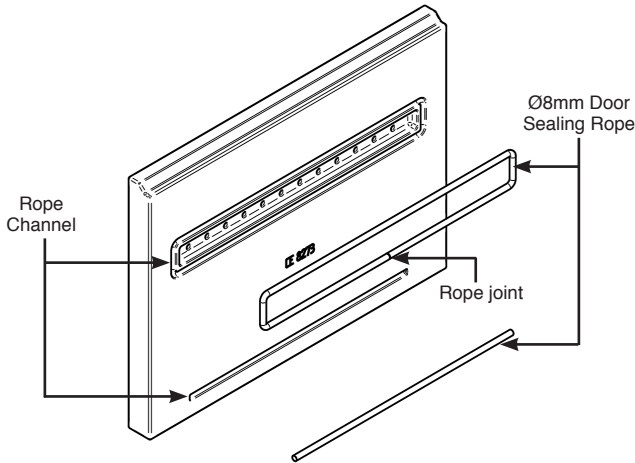
Take note of the roping around the edge of the door glass around the edge. This will also need replacing.

Dispose of the old glass safely.

FITTING A NEW BACK BRICK SEAL

The reverse of the back brick has a small sealed vent to allow circulation of secondary air through the appliance.

To maintain the safe use of your appliance you need to replace damaged or worn sealing rope.



i NOTE: Applying Thermic Seal is not necessary.

ADJUSTING THE DOOR HINGES

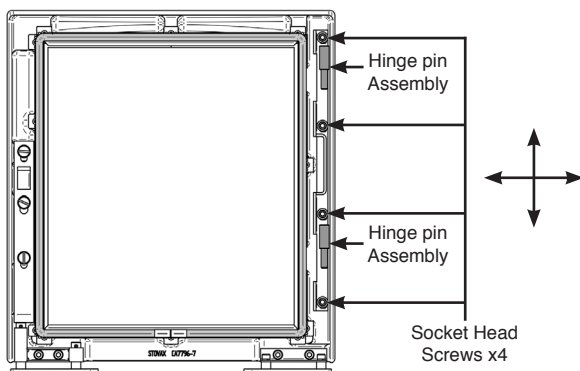
To maintain the safe use of your appliance, you may need to adjust the door hinges to ensure the door closes safely and correctly.

The door can be adjusted in 2 different places:

- Door Hinge Pin Assembly.
- Hinge Blocks on Firebox.

DOOR HINGE PIN ASSEMBLY

The hinge pin assembly is slotted so it can be adjusted up or down and sideways approximately 3mm.

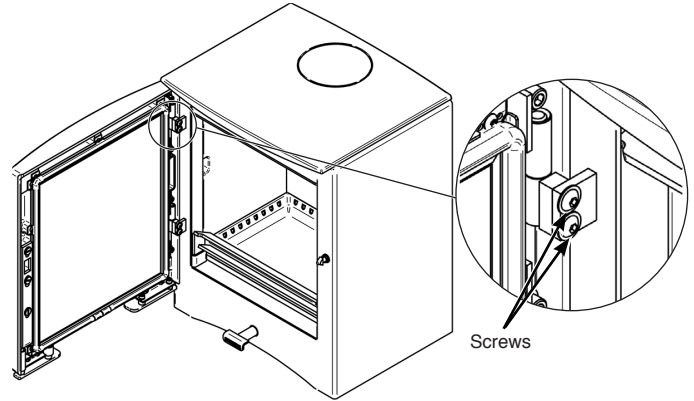


The hinge pin assembly is slotted so it can be adjusted up or down and sideways approximately 3mm.

Once the desired position has been achieved ensure the 4 socket head screws are firmly tightened against the hinge block assembly to maintain the position.

HINGE BLOCKS ON FIREBOX

The hinge block allows front to back adjustment to allow the seal between the door and firebox to be improved, if required.



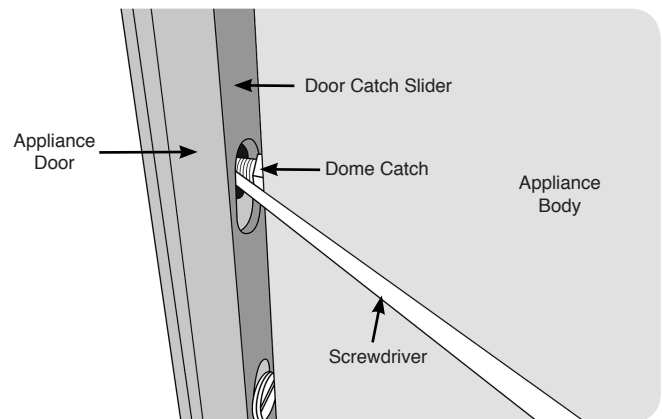
Once the desired position has been achieved ensure the screws are firmly tightened.

ADJUSTING THE DOOR CATCH

To adjust the **Door Catch**:

Open the door to gain access to the catch.

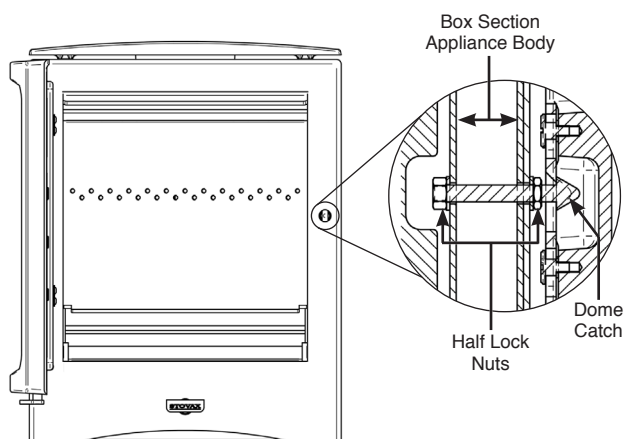
If the door cannot be opened with the handle/ multifunctional tool, pull the door with one hand and carefully insert a small flat head screwdriver into the slot in the door catch slider.



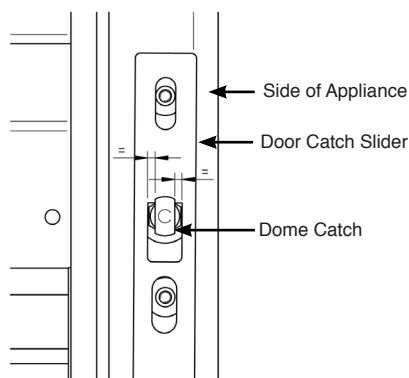
Lift the door catch slider until it disengages from the dome catch and the door opens.

Use a 13mm A/F spanner to loosen the half lock nuts either side of the box section in the appliance body. This will allow the dome catch to rotate in and out.

DO NOT undo the catch more than 3-4mm.



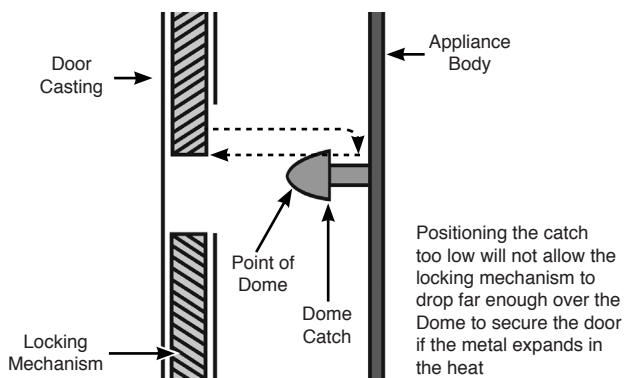
Ensure the dome catch is in an upright position with the flat sides parallel with the side of the appliance.



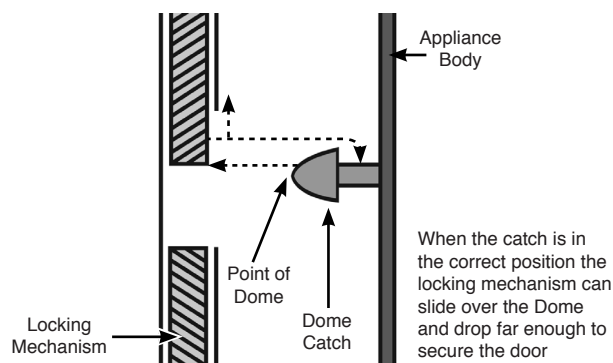
When the door closes the Dome Catch should sit centrally in the slot of the door catch slider.

Adjust the height of the catch so that the door locking mechanism makes contact slightly above the point of the Dome Catch.

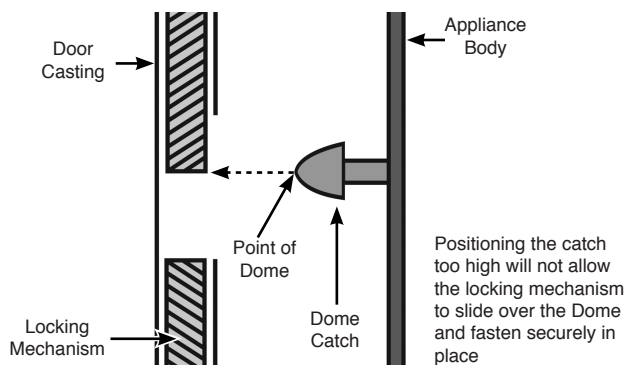
Incorrect Position - Dome catch too low



Correct Position



Incorrect Position - Dome catch too high



To ensure a firm hold by the locking mechanism, the catch should be positioned to allow the maximum distance of travel up and down over the tapered end of the catch.

Note: If the point of the Dome Catch is in line with the bottom of the locking mechanism this will prevent the door from being pushed closed, too high and the catch won't travel far enough down the other side of the catch to hold the door if the metal expands when hot.

Fully tighten the lock nuts to secure the Dome Catch.

Open and close the door several times to check the adjustment.

FINAL CHECKS

Following these adjustments check that the door:

- Does not come into contact with the log guard.
- Passes the paper sealing test.
- Aligns with the sides and top of the appliance.

LEGAL REQUIREMENTS

Before installation and/or use of this appliance please read these instructions carefully to ensure that all requirements are fully understood.

The appliance must be fitted by a registered installer, or approved by your local building control officer.

It is very important to understand the requirements of the national Building Regulations and standards, along with any local regulations and working practices that may apply. Should any conflict occur between these instructions and these regulations then the regulations must apply.

Your local Building Control Office can advise regarding the requirements of the regulations.

Works must be carried out with care to meet the requirements of Health and Safety and comply with the Health and Safety rules, and any new regulations introduced during the lifetime of these instructions. Particular attention should be drawn to:

- **Handling:** The appliance is heavy. Adequate facilities must be available for loading, unloading and on site handling.
- **Fire Cement:** Some fire cement is caustic and must not come into contact with the skin. Protective gloves must be worn. Wash hands thoroughly with plenty of water after contact with skin.
- **Asbestos:** This appliance contains no asbestos. If there is the possibility of disturbing any asbestos in the course of installation seek specialist guidance and use appropriate equipment.
- **Metal Parts:** Take care when installing or servicing the stove to avoid personal injury.

A faulty installation can cause danger to the inhabitants and structure of the building.

For users of this appliance:

Your building insurance company may require you to inform them that a new heating appliance has been installed on your property. Check that your cover is still valid after installing the appliance.

FLUE OR CHIMNEY

The flue or chimney system must be in good condition. It must be inspected by a competent person and passed for use with the appliance before installation.

Products of combustion entering the room can cause serious health risks.

The following must be checked:

- The construction of the masonry chimneys, flue block chimneys and connecting flue pipe system must meet the requirements of the Building Regulations.
- A flexible flue liner system can be used if certified for use with solid fuel systems and installation complies with manufacturer's instructions and Building Regulations. The flue liner must be replaced when an appliance is replaced, unless proven to be recently installed and in good condition.

- If it is necessary to fit a register plate it must conform to the Building Regulations.
- The minimum height of the flue or chimney must be 4.5m from the hearth to the top of the flue, with no horizontal sections and a maximum of 4 bends. Bends must have angles of less than 45 degrees from the vertical.
- There should be at least 600mm of vertical flue pipe above the appliance before any bends are introduced.
- Ensure the connecting flue pipe is kept a suitable distance from any combustible material and does not form part of the supporting structure of the building.
- The installer must ensure the flue pipe diameter is not less than the diameter of the outlet of the appliance and does not narrow to less than the size of the outlet at any point in the system.
- Make provision to remove the appliance without the need to dismantle the chimney.
- Any existing flue must be confirmed as suitable for the new intended use as defined in the Building Regulations.
- The flue or chimney systems must be inspected and swept to confirm the system is structurally sound and free from obstructions.
- If the chimney is believed to have previously served an open fire it must be swept a second time within a month of regular use after installation to clear any soot falls that may have occurred due to difference in combustion levels.
- The flue exit from the building must comply with local building control rules.
- Chimney heights and/or separations may need to be increased in particular cases where wind exposure, surrounding tall buildings, high trees or high ground could have adverse effects on flue draught.
- Do not connect or share the flue or chimney system with another heating appliance.

Do not connect to systems containing large voids or spaces over 230mm square.

Suitable access must be provided to enable the collection and removal of debris.

The flue must be swept and inspected when the appliance is installed.

FLUE DRAUGHT

The flue draught must be checked with all windows and doors closed and any extraction fans in this, or adjoining rooms, running at maximum speed (see Installation Checklist for ventilation requirements).

TWIN WALL FLUE SYSTEM

If this appliance is to be used in conjunction with a twin wall flue system then Stovax recommend the use of their Professional XQ range. Details of this product are available from your Stovax retailer.

VENTILATION

Many older buildings are sufficiently ventilated by natural leakage of air to provide suitable air supply for an appliance of 5kW output or less.

Modern building techniques have reduced the amount of air that leaks in or out of a house. A modern construction with an air tightness of less than 5m³ per hour per m² requires an air vent for **ALL** solid fuel appliances including those with a rated heat output of less than 5kW.

NOTE: The air leakage of a modern house is tested at the completion of construction and a certificate issued confirming this.

This appliance requires a constant supply of air to maintain proper combustion and effective flue performance.

An inadequate air supply can result in poor combustion and smoke entering the room which is potentially dangerous.

This supply of air can come from either:

- Purpose provided ventilation.
- Some Stovax appliances can also be fitted with an optional outdoor air kit which allows air to be drawn in from the outside.

The amount of air required must comply with local building regulations and the rules in force.

If spillage is detected during commissioning then there may be insufficient natural ventilation and an additional air supply will be necessary.

Permanent air vents should be non-adjustable and positioned where they are unlikely to become blocked.

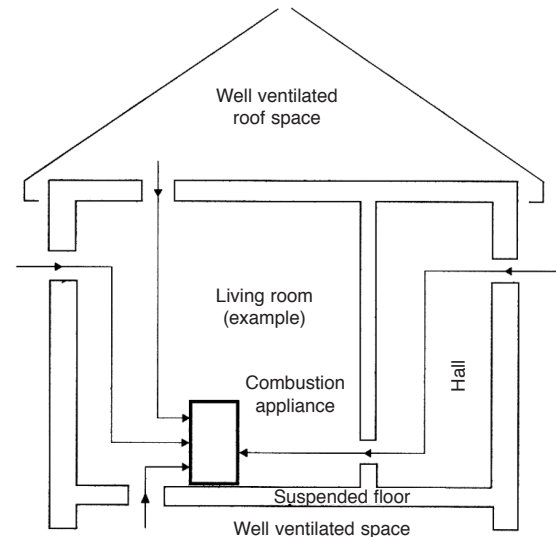
If vents open into adjoining rooms or spaces there must be an air vent of at least the same size direct to the outside.

Site the vents where cold draught is unlikely to cause discomfort. This can be avoided by placing vents near ceilings or close to the appliance (See diagram).

Extractor fans or cooker hoods must not be placed in the same room or space as this can cause the appliance to emit fumes into the room.

Increase air supply provisions where a room contains multiple appliances.

If any checks reveal problems do not proceed with the fitting of the appliance until they have been rectified.



BUILDERS OPENING

Many fireplace openings have a supporting lintel. Remove the covering plaster to identify its position before starting any constructive work. Do not remove constructional lintels without making provision to support the remaining structure of the building. The appliance must not form any part of the supporting structure.

The chimney/flue must have a sealed connection to the appliance flue spigot.

The structure of the builders opening will reach high temperatures. Use insulating blockwork to reduce the heat transfer to the external walls.

Take care when finishing the chimney breast and surrounding area. The conducted and convected heat emitted by the appliance could be high enough to crack normal plaster. Use a high temperature plaster, or face the area with a suitable non combustible board avoiding any joints above the appliance. New plaster should be fully dried before the appliance is used, or cracking could occur.

If you are in any doubt about your ability to produce a safe opening contact your Stovax dealer for professional advice.

FIRE SURROUND CLEARANCES

We recommend you obtain expert advice before proceeding with work of this nature.

Some finishes may discolour with heat and some lower quality products may distort, or crack, when in use.

If stone / granite / marble or any other natural material is used to construct the fire surround, or any part of it, provision should be made for expansion and movement of the parts due to heating and cooling.

If you are in any doubt about the installation requirements, or suitability of fire surrounds contact your Stovax dealer.

All fire surrounds should be suitable for use with solid fuel heating products.

PRODUCT FICHE - INFORMATION REQUIREMENT FOR SOLID FUEL LOCAL SPACE HEATER

Model	Vision Small Eco W	Vision Small Eco MF	Vision Small Tall Eco W	Vision Small Tall Eco MF	Vision Midi Eco W	Vision Midi Eco MF	Vision Midi Tall Eco W	Vision Midi Tall Eco MF	Vision Medium Slimline W	Vision Medium Slimline Eco MF	Vision Medium Eco W	Vision Medium Eco MF
Direct Efficiency Class	A+	A	A	A+	A	A+	A+	A	A	A	A	A
Direct Heat Output (kW)	5.0	5.0	4.8	5.0	5.0	5.0	5.0	5.0	5.0	5.0	7.8	7.1
Indirect Output (kW)	-	-	-	-	-	-	-	-	-	-	-	-
Energy Efficiency Index (EEI)	108	107	104	107	104	106	107	105	101	102	101	99
Useful Energy Efficiency at Nominal Heat Output	80.7%	79.9%	78.2%	80.2%	77.6%	79.5%	79.8%	78.4%	75.6%	76.5%	75.9%	74.8%
Safety Precautions	Appliance must be installed, Used and Maintained in accordance with the manufacturers instructions supplied											

Model	Vogue Small Eco W	Vogue Small Eco MF	Vogue Small Tall Eco W	Vogue Small Tall Eco MF	Vogue Midi Eco W	Vogue Midi Eco MF	Vogue Midi Tall Eco W	Vogue Midi Tall Eco MF	Vogue Medium Slimline Eco W	Vogue Medium Slimline Eco MF	Vogue Medium Eco W	Vogue Medium Eco MF
Direct Efficiency Class	A+	A	A	A+	A	A+	A+	A	A	A	A	A
Direct Heat Output (kW)	5.0	5.0	4.8	5.0	5.0	5.0	5.0	5.0	5.0	5.0	7.8	7.1
Indirect Output (kW)	-	-	-	-	-	-	-	-	-	-	-	-
Energy Efficiency Index (EEI)	108	107	104	107	104	106	107	105	101	102	101	99
Useful Energy Efficiency at Nominal Heat Output	80.7%	79.9%	78.2%	80.2%	77.6%	79.5%	79.8%	78.4%	75.6%	76.5%	75.9%	74.8%
Safety Precautions	Appliance must be installed, Used and Maintained in accordance with the manufacturers instructions supplied											

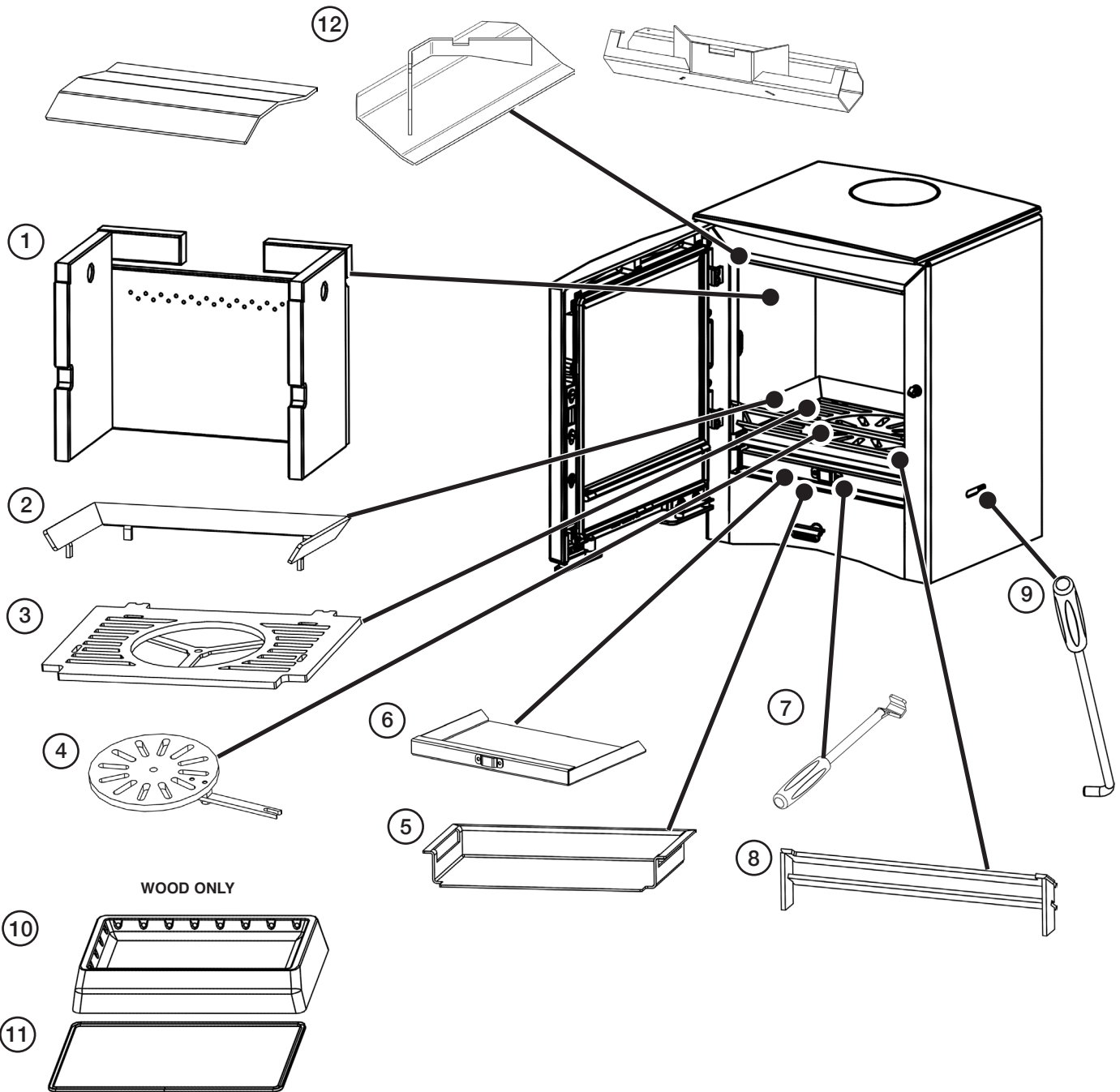
PRODUCT MATERIAL INFORMATION

The following substances, preparations or components should be disposed of or recovered separately from other WEEE in compliance with Article 4 of EU Council Directive 75/442/EEC.

Metal	Steel	Can be taken to a local recycling centre for reuse to reduce waste going to landfill.
	Cast iron	
Glass		Can be taken to a local recycling centre for reuse to reduce waste going to landfill.
Vermiculite linings		Non hazardous material. Vermiculite can be crushed up and used for plant bedding and ash used for composting or disposed of at a local recycling centre for reuse to reduce waste going to landfill.
Rope seals		Rope seals are made from Refractory Ceramic Fibre (RCF), a material which is commonly used for this application. Protective clothing is not required when handling these articles, but it is recommended to follow normal hygiene rules of not smoking, eating or drinking in the work area and always wash hands before eating or drinking. When servicing the appliance it is recommended that the replaced items are not broken up, but are sealed within heavy duty polythene bags and labelled as RCF waste. RCF waste is classed as stable, non-reactive hazardous waste and may be disposed of at a licensed landfill site.
Electrical components	(Fan kits etc if applicable)	Dispose of at a local recycling centre in accordance with the WEEE directive.

VISION & VOGUE SPARES - STOVE ASSEMBLY

VOGUE MULTI-FUEL SHOWN



Due to continual technical improvements please check online or with your Stovax retailer for the most up to date parts lists.

Only use Genuine Stovax spares when servicing your appliance.

All of our essential spare parts and consumable items are available to purchase from our webshop at www.stovaxspares.com.

VISION & VOGUE SPARES - STOVE ASSEMBLY

VOGUE

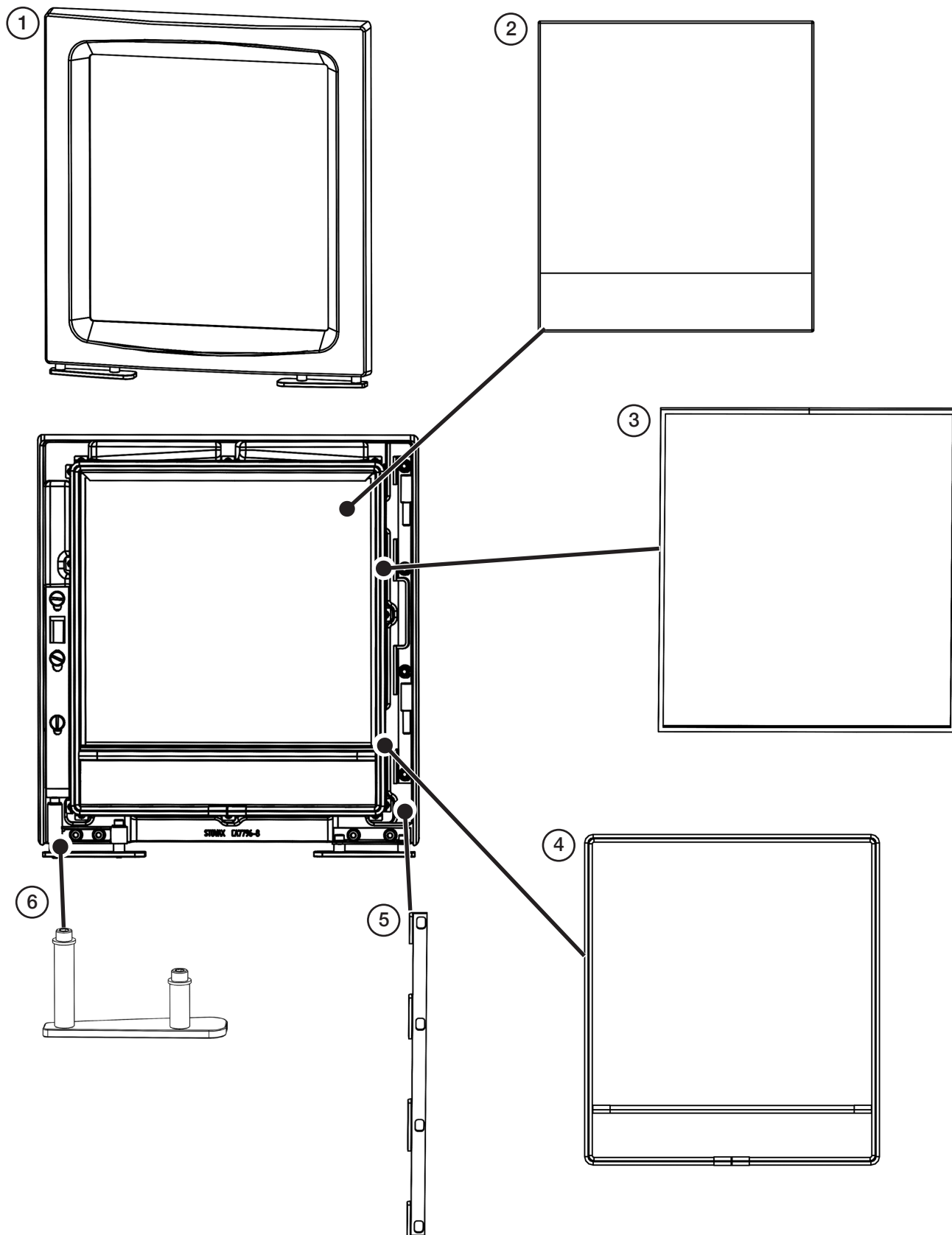
REF.	DESCRIPTION	PART CODE							
		SMALL/T W	SMALL/T MF	MIDI/T W	MIDI/T MF	MEDIUM W	MEDIUM MF	MEDIUM SLIMLINE W	MEDIUM SLIMLINE MF
1	Brick Assembly	MEC10831PK/ MEC10845PK	MEC11041PK/ MEC11093PK	MEC10981PK/ MEC10775PK	MEC10823PK/ MEC11077PK	MEC10753PK	MEC11023PK	MEC10767PK	MEC11153PK
2	Brick Guard	-	MEC11086	-	MEC10814	-	MEC11027	-	MEC10866
3	Main Grate	-	MEC11048	-	MEC10869	-	MEC11034	-	MEC11168
4	Centre Grate	-	MEC11049	-	MEC10763	-	MEC11028	-	MEC11028
5	Ash Pan Tray	-	RA504317	-	RA504103	-	RA504298	-	RA504392
6	Ash Pan	-	RVN- MEC8430	-	MEC11099	-	MEC11031	-	MEC10871
7	Ash Pan Tool	-	MEC8793	-	MEC8793	-	MEC8793	-	MEC8793
8	Log Guard	MEC10706	MEC10706	MEC10984	MEC10984	MEC10927	MEC10927	MEC10927	MEC10927
9	Multi-Function Tool	MEC8788	MEC8788	MEC8788	MEC8788	MEC8788	MEC8788	MEC8788	MEC8788
10	Cast Base	CA7807	-	CA7824	-	CA7832	-	CA7833	-
11	Tape Seal	4950	-	4950	-	4950	-	4950	-
12	Baffle	MEC10864	MEC10864	RA504919/ MEC10820	RA504919/ MEC10820	MEC10755	MEC10755	MEC11877	MEC11877

VISION

REF.	DESCRIPTION	PART CODE							
		SMALL/T W	SMALL/T MF	MIDI/T W	MIDI/T MF	MEDIUM W	MEDIUM MF	MEDIUM SLIMLINE W	MEDIUM SLIMLINE MF
1	Brick Assembly	MEC10831PK/ MEC10845PK	MEC11041PK/ MEC11093PK	MEC10981PK/ MEC10775PK	MEC10823PK/ MEC11077PK	MEC10753PK	MEC11023PK	MEC10767PK	MEC11153PK
2	Brick Guard	-	MEC11086	-	MEC10814	-	MEC11027	-	MEC10866
3	Main Grate	-	MEC11066	-	MEC10828	-	MEC11025	-	MEC10870
4	Centre Grate	-	MEC11049	-	MEC10763	-	MEC11028	-	MEC11028
5	Ash Pan Tray	-	RA504317	-	RA504103	-	RA504298	-	RA504392
6	Ash Pan	-	RVN- MEC8430	-	MEC11099	-	MEC11031	-	MEC10871
7	Ash Pan Tool	-	MEC8793	-	MEC8793	-	MEC8793	-	MEC8793
8	Log Guard	MEC10706	MEC10706	MEC10984	MEC10984	MEC10927	MEC10927	MEC10927	MEC10927
9	Multi-Function Tool	MEC8788	MEC8788	MEC8788	MEC8788	MEC8788	MEC8788	MEC8788	MEC8788
10	Cast Base	CA7807	-	CA7824	-	CA7832	-	CA7833	-
11	Tape Seal	4950	-	4950	-	4950	-	4950	-
12	Baffle	MEC10864	MEC10864	RA504919/ MEC10820	RA504919/ MEC10820	MEC10755	MEC10755	MEC11877	MEC11877

VISION & VOGUE SPARES - DOOR ASSEMBLY

VOGUE SHOWN



VISION & VOGUE SPARES - DOOR ASSEMBLY

VOGUE WOOD

REF.	DESCRIPTION	PART CODE					
		SMALL W	SMALL T W	MIDI W	MIDI T W	MEDIUM W	MEDIUM SLIMLINE W
1	Complete Door Assembly	MEC10729	MEC10789	MEC10592	MEC10777	MEC10757	MEC10757
2	Door Glass	CE8211	CE8213	CE8191	CE8229	CE8233	CE8233
3	Tape Seal	4950	4950	4950	4950	4950	4950
4	Rope Seal Black	5700	5700	5700	5700	5700	5700
5	Hinge Plate Assembly	MEC10736	MEC10736	MEC10736	MEC10736	MEC10736	MEC10736
6	Door Handle (RH)	MEC11529	MEC11529	MEC11529	MEC11529	MEC11531	MEC11531

Fixings required

These can be obtained via a local hardware merchant:

M6 Penny Washer x 4
M6 x 10 Spring Washer x 6
M6 Washer x 2
M6 x 10 Button Head x 2
M5 x 15 Washer x 3
M5 x12 Cap Head x 2

VOGUE MULTI-FUEL

REF.	DESCRIPTION	PART CODE					
		SMALL MF	SMALL T MF	MIDI MF	MIDI T MF	MEDIUM MF	MEDIUM SLIMLINE MF
1	Complete Door Assembly	MEC11062	MEC11098	MEC10818	MEC11081	MEC11032	MEC11032
2	Door Glass	CE8310	CE8303	CE8298	CE8297	CE8300	CE8300
3	Tape Seal	4950	4950	4950	4950	4950	4950
4	Rope Seal Black	5700	5700	5700	5700	5700	5700
5	Hinge Plate Assembly	MEC10736	MEC10736	MEC10736	MEC10736	MEC10736	MEC10736
6	Door Handle (RH)	MEC11529	MEC11529	MEC11529	MEC11529	MEC11531	MEC11531

Fixings required

These can be obtained via a local hardware merchant:

M6 Penny Washer x 4
M6 x 10 Spring Washer x 6
M6 Washer x 2
M6 x 10 Button Head x 2
M5 x 15 Washer x 3
M5 x12 Cap Head x 2

VISION & VOGUE SPARES - DOOR ASSEMBLY

VISION MULTI-FUEL

REF.	DESCRIPTION	PART CODE					
		SMALL MF	SMALL T MF	MIDI MF	MIDI T MF	MEDIUM MF	MEDIUM SLIMLINE MF
1	Complete Door Assembly	MEC11065	MEC11091	MEC10811	MEC11075	MEC11021	MEC11021
2	Door Glass	CE8309	CE8304	CE8239	CE8294	CE8277	CE8277
3	Tape Seal	4998	4998	4998	4998	4998	4998
4	Rope Seal Black	5700	5700	5700	5700	5700	5700
5	Hinge Plate Assembly	MEC10736	MEC10736	MEC10736	MEC10736	MEC10736	MEC10736
6	Door Handle (RH)	MEC10705	MEC10705	MEC10542	MEC10542	MEC10744	MEC10744

Fixings required

These can be obtained via a local hardware merchant:

- M6 Penny Washer x 4
- M6 x 10 Spring Washer x 6
- M6 Washer x 2
- M6 x 10 Button Head x 2
- M5 x 15 Washer x 3
- M5 x12 Cap Head x 2

VISION WOOD

REF.	DESCRIPTION	PART CODE					
		SMALL W	SMALL T W	MIDI W	MIDI T W	MEDIUM W	MEDIUM SLIMLINE W
1	Complete Door Assembly	MEC10698	MEC10794	MEC10540	MEC10771	MEC10747	MEC10747
2	Door Glass	CE8207	CE8225	CE8185	CE8220	CE8222	CE8222
3	Tape Seal	4998 (1330mm)	4998 (1330mm)	4998 (1460mm)	4998 (1705mm)	4998 (1850mm)	4998 (1850mm)
4	Rope Seal Black	5700 (1320mm)	5700 (1480mm)	5700 (1475mm)	5700 (1710mm)	5700 (1780mm)	5700 (1780mm)
5	Hinge Plate Assembly	MEC10736	MEC10736	MEC10736	MEC10736	MEC10736	MEC10736
6	Door Handle (RH)	MEC10705	MEC10705	MEC10542	MEC10542	MEC10744	MEC10744

Fixings required

These can be obtained via a local hardware merchant:

- M6 Penny Washer x 4
- M6 x 10 Spring Washer x 6
- M6 Washer x 2
- M6 x 10 Button Head x 2
- M5 x 15 Washer x 3
- M5 x12 Cap Head x 2

SERVICE RECORDS

1ST SERVICE

Date of Service:.....

Next Service Due:.....

Signed:.....

Dealer's Stamp/HETAS Registration Number

3RD SERVICE

Date of Service:.....

Next Service Due:.....

Signed:.....

Dealer's Stamp/HETAS Registration Number

5TH SERVICE

Date of Service:.....

Next Service Due:.....

Signed:.....

Dealer's Stamp/HETAS Registration Number

7TH SERVICE

Date of Service:.....

Next Service Due:.....

Signed:.....

Dealer's Stamp/HETAS Registration Number

9TH SERVICE

Date of Service:.....

Next Service Due:.....

Signed:.....

Dealer's Stamp/HETAS Registration Number

2ND SERVICE

Date of Service:.....

Next Service Due:.....

Signed:.....

Dealer's Stamp/HETAS Registration Number

4TH SERVICE

Date of Service:.....

Next Service Due:.....

Signed:.....

Dealer's Stamp/HETAS Registration Number

6TH SERVICE

Date of Service:.....

Next Service Due:.....

Signed:.....

Dealer's Stamp/HETAS Registration Number

8TH SERVICE

Date of Service:.....

Next Service Due:.....

Signed:.....

Dealer's Stamp/HETAS Registration Number

10TH SERVICE

Date of Service:.....

Next Service Due:.....

Signed:.....

Dealer's Stamp/HETAS Registration Number

FOR ENQUIRIES IN THE U.K (EXCLUDING NI):

Stovax Limited, Spitfire Avenue, Skypark, Clyst Honiton, Exeter, Devon, England EX5 2FR

Tel: (01392) 474011 Fax: (01392) 219932 E-mail: info@stovax.com www.stovax.com

FOR ENQUIRIES IN EUROPE (INCLUDING NI):

Stovax Heating Group Ltd, 40 Linenhall Street, Belfast, BT2 8BA | DX 400 NR Belfast

Tel: +44 (0)1392 261990 Fax: +44 (0)1392 444148 E-mail: northernireland@stovax.com

